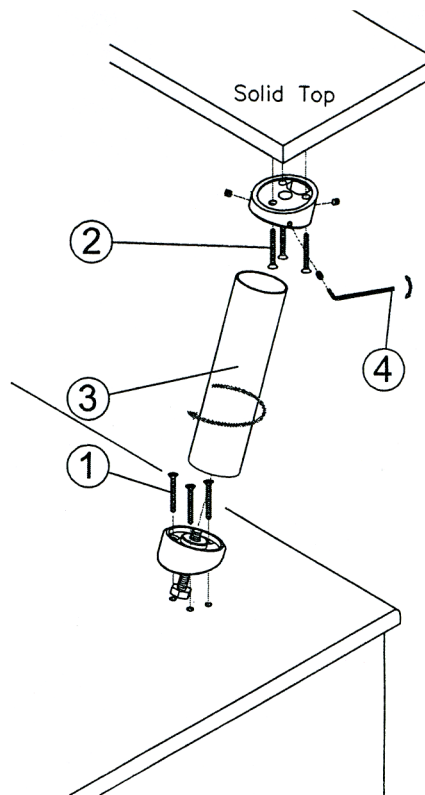
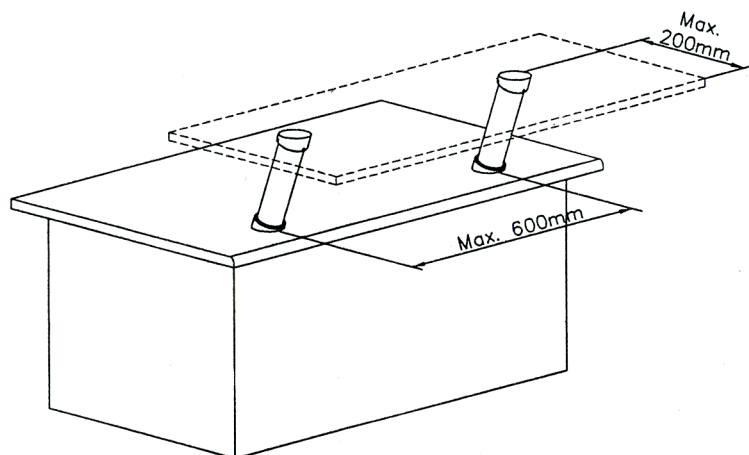
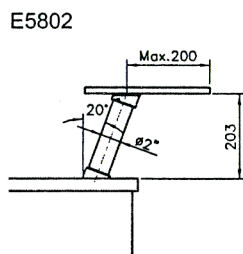
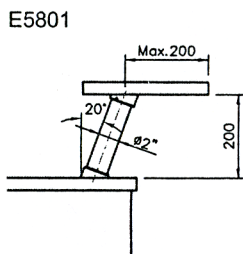
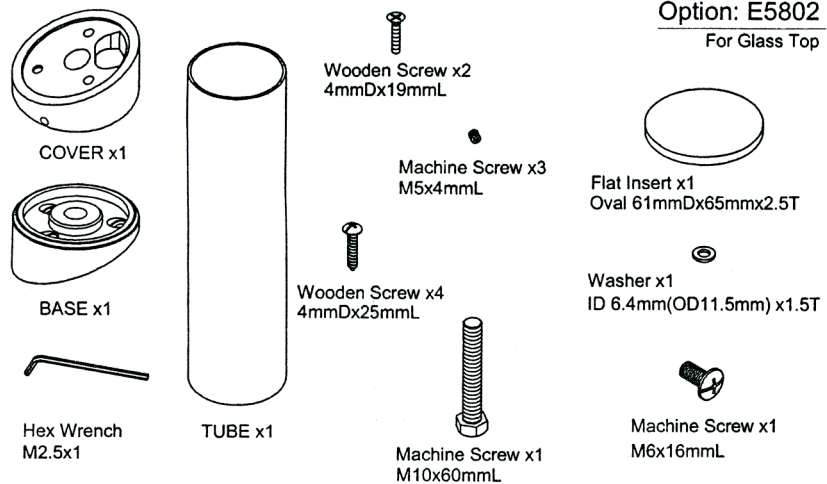


E5801 MOUNTING AND OPERATING INSTRUCTIONS



E5801 Installation Steps:

1. Use 2pcs 25mmL + 1pcs 19mmL Wooden Screw to Fix Base With Wooden Desk.
2. Use 2pcs 25mmL + 1pcs 19mmL Wooden Screw to Fix Cover With Solid Top.
3. Turn and Link to Tube and Base.
4. Use the Hex Wrench key to fix Machine Screw M5x4mmL and Cover.

E5802 Installation Steps:

1. Use 2pcs 25mmL + 1pcs 19mmL Wooden Screw to Fix Base With Wooden Desk.
2. Use UV Glue Sticks to Match the Glass Top and Flat Insert.
3. Use the Machine Screw M6x16mmL to Fix Cover With Flat Inster.
4. Turn and Link to Tube and Base.
5. Use the Hex Wrench key to fix Machine Screw M5x4mmL and Cover.

