

Ropox FlexiBasic 30-63XXX

User manual

Mounting instruction

This folder must always be kept with the product!

Content:

1.	INTRODUKTION	3
2.	COMPLIANCE WITH EU-DIRECTIVES	3
3.	APPLICATION	3
4.	TEKNICAL DATA FLEXIBASIC	4
5.	SUPPLY POINTS, WATER SUPPLY AND WASTE	FEJL! BOGMÆRKE ER IKKE DEFINERET.
	5.1 <i>Tips og tricks</i>	<i>Fejl! Bogmærke er ikke defineret.</i>
	5.1.1 <i>Tension in upper bolts of Flexi frames</i>	<i>Fejl! Bogmærke er ikke defineret.</i>
6.	MOUNTING INSTRUCTIONS, ILLUSTRATIONS	7
6.	MOUNTING INSTRUCTIONS, DESCRIPTIONS	FEJL! BOGMÆRKE ER IKKE DEFINERET.
	6.1 <i>Assembly of frame</i>	<i>Fejl! Bogmærke er ikke defineret.</i>
	6.2 <i>Mounting the support arms</i>	<i>Fejl! Bogmærke er ikke defineret.</i>
	6.3 <i>Mounting the frame on the wall</i>	<i>Fejl! Bogmærke er ikke defineret.</i>
	6.4 <i>Mounting of fittings for front fascia</i>	<i>Fejl! Bogmærke er ikke defineret.</i>
	6.5 <i>Mounting the worktop</i>	<i>Fejl! Bogmærke er ikke defineret.</i>
	6.6 <i>Mounting the wooden front fascia</i>	<i>Fejl! Bogmærke er ikke defineret.</i>
	6.7 <i>Mounting the side fascia</i>	<i>Fejl! Bogmærke er ikke defineret.</i>
	6.8 <i>Adjusting the worktop/ support arms</i>	<i>Fejl! Bogmærke er ikke defineret.</i>
	6.9 <i>Mounting of distance plates (1cm) for skirting board</i>	<i>Fejl! Bogmærke er ikke defineret.</i>
	6.10 <i>Mounting the flexible water connections and waste hoses</i>	<i>Fejl! Bogmærke er ikke defineret.</i>
	6.11 <i>Adjusting the height of the worktop, by using the Jack-Up unit</i>	<i>Fejl! Bogmærke er ikke defineret.</i>
	6.12 <i>Mounting the supporting feet</i>	<i>Fejl! Bogmærke er ikke defineret.</i>
	6.13 <i>Mounting the covers for the legs</i>	<i>Fejl! Bogmærke er ikke defineret.</i>
	6.14 <i>Mounting the concealment panels</i>	<i>Fejl! Bogmærke er ikke defineret.</i>
7.	PERFORMANCE TEST	15
8.	LIST OF COMPONENTS FOR FLEXIBASIC FOR WORKTOP 60-300 CM	15
9.	OPTIONS FOR FLEXIBASIC	16
10.	SAFETY IN USE	17
11	CLEANING AND MAINTENANCE	17
	11.1 <i>Cleaning</i>	<i>17</i>
	11.2 <i>Maintenance</i>	<i>17</i>
	11.3 <i>Service schedule, operation and maintenance</i>	<i>18</i>
12.	TROUBLE SHOOTING	19
13.	CE-MARKING	20
14.	COMPLAINTS	20

1. Introduction

You have chosen FlexiBasic, the multi-flexible, height-adjustable, easy-to-mount frame. The frame may be used separately or in combination with Verti or Diagonal, the adjustable system for wall cupboards.

The frame has no inconvenient fascia and, consequently, the adjustment of the working height from 65 to 95 cm + worktop thickness may be fully utilised.

Under the worktop there is sufficient room for knees and legs for wheelchair users, who obtain freedom of movement and a perfect working posture.

If you want the colour of the frame to match your kitchen, you may order suitable covers for the vertical legs.

FlexiBasic will give you a quick and easy adjustment of the frame by using the jack up. The frame can be rebuilt to a FlexiManual or a FlexiElectric at a later stage.



This document must ALWAYS be kept with the product and have been read and understood by the user.

The correct use, operation and inspection are decisive factors for efficient and safe performance.

2. Compliance with EU-Directives

This product has CE-marking and thus complies with the basic safety requirements. See separate CE-declaration.

3. Application



The FlexiBasic frame is adjustable in height in order to obtain optimum working height for user and helper. Do NOT use Flexi as a lifting table or person lifter.

The product should be used indoor, at temperatures and humidity as described in section 4

4. Technical data FlexiBasic

Product name:	Ropox FlexiBasic Length of worktop = 60-300 cm
Item numbers:	30-63XXX: XXX = Length of worktop The frame is always 5 cm shorter than the worktop
Height adjustment:	65–95 cm without worktop
Material:	Welded steel tubes St. 37 Aluminium alloy 606045-T6 Plastic components
Surface treatment:	Chromite, Powder coating, Standard RAL 9010, mat white
Max. load of frame:	150 kg evenly distributed over the entire worktop
Temperature:	5-45°C
Air humidity:	5-85% (non-condensing)
Complaints:	See complaints, page 21.
Manufacturer:	Ropox A/S, DK-4700 Naestved, Tel.: +45 55 75 05 00

5. Installation information

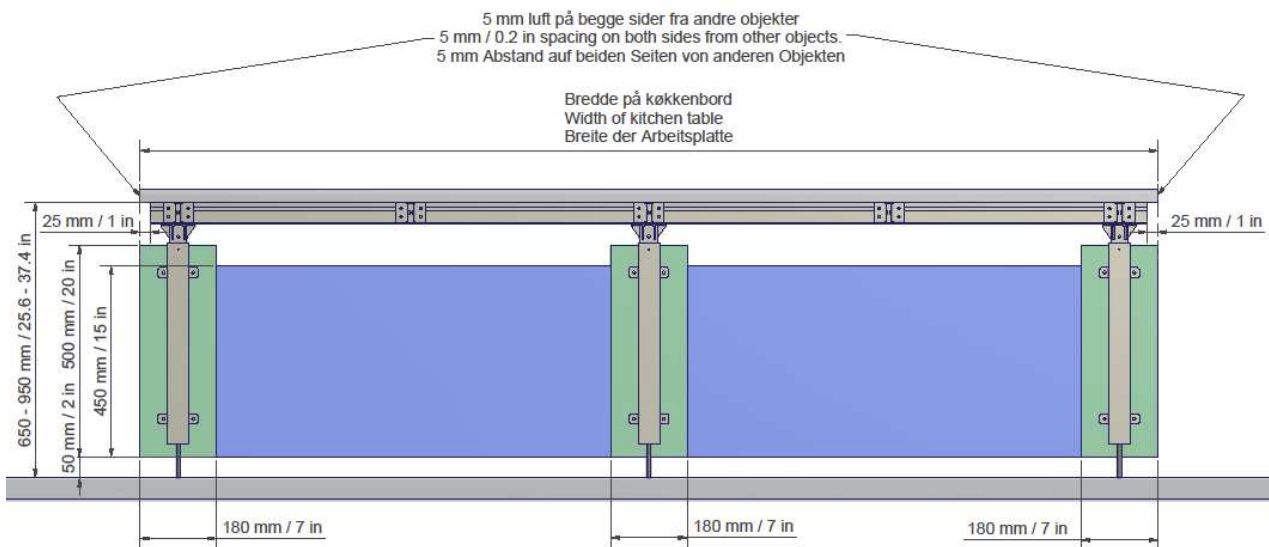
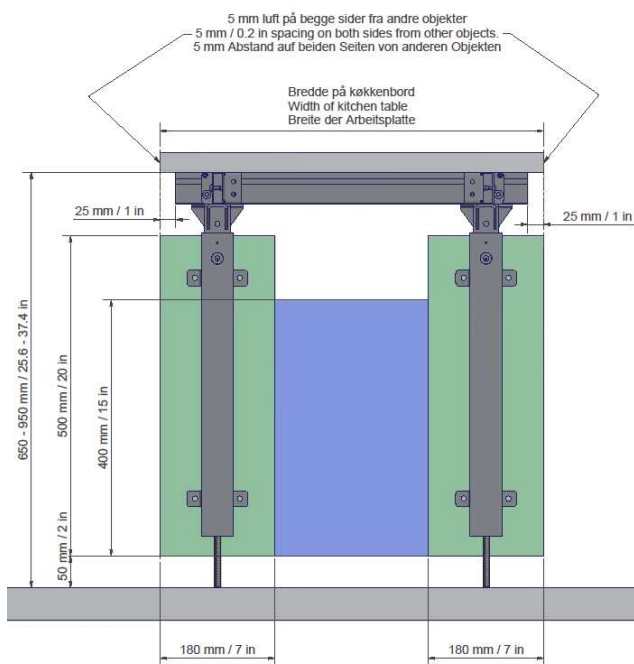
-  Minimum area for reinforcement of wall. Wall material must be suitable for screw mounting.
-  Area for electric and plumbing installations.

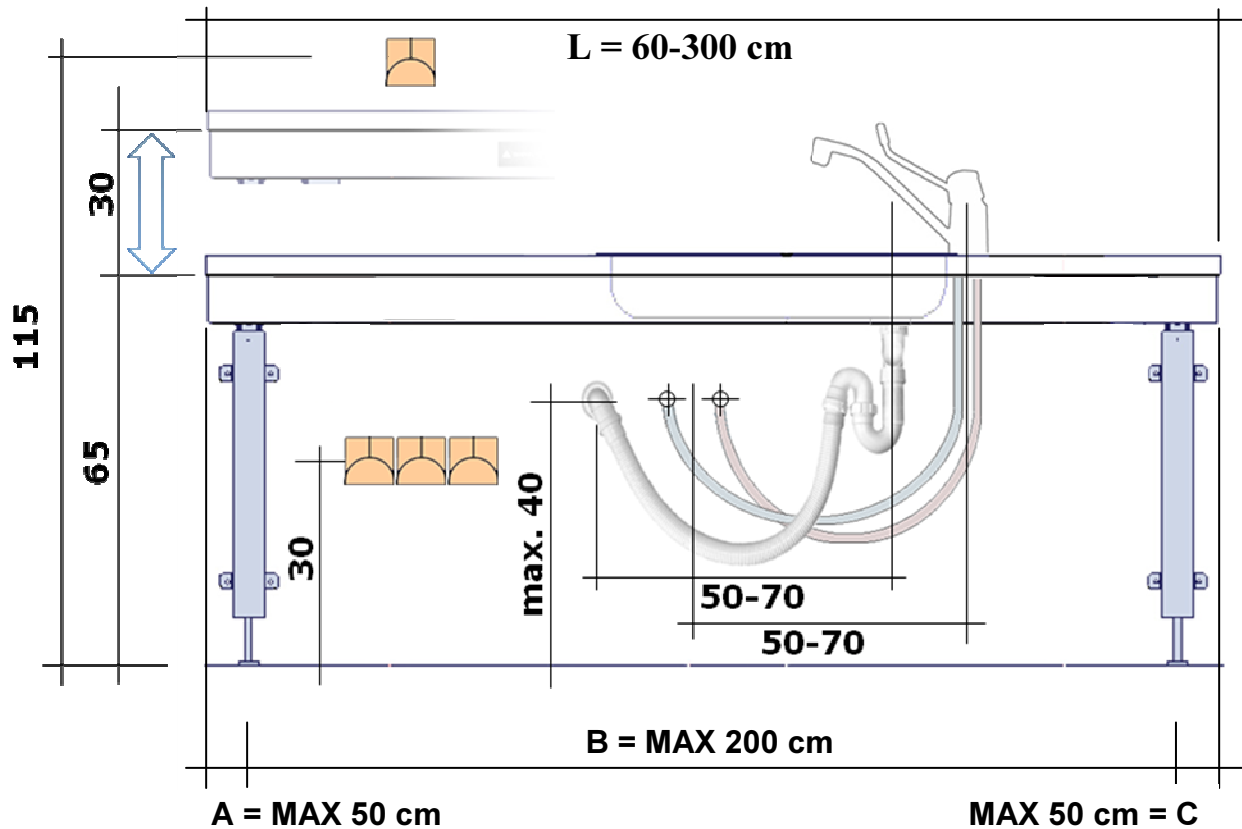
Max. load 150kg evenly distributed over the worktop up to 300cm in width, according to DS/EN 12182.

Minimum load capacity per screw/bolt:

40 kg

The fitter should always consider the material, condition and strength of the wall and use screws and rawplugs suitable for the specific wall type.





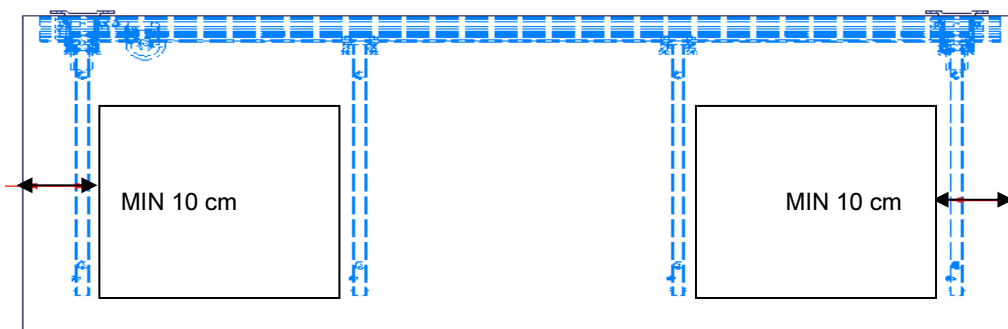
Length of Aluminum profile = Length of worktop minus 5 cm

It is important to use flexible hoses for water supply and waste to ensure that the FlexiBasic will move freely without obstacles within the height adjustment range 65-95 cm. excl. worktop.



Arrange for the fixed feed pipes on the wall to be pointing down, at a height of max. 40 cm. This will ensure that the flexible feed pipes will always flex in a neat curve close to the wall without kinking. A 90 degree valve with a 1/2" exposed thread is recommended.

For worktops with cut-outs the distance from either side of the worktop should be considered as shown on the illustration.



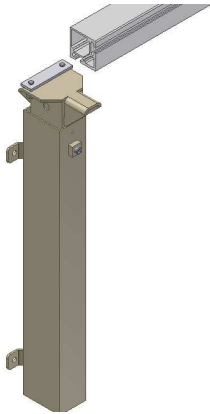
Always keep 0,5 cm space all away around the worktop

6. Mounting instructions

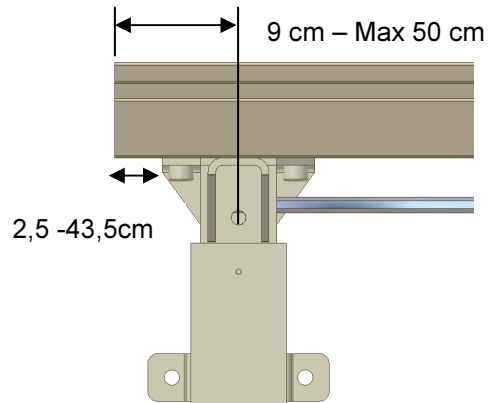
The equipment should always be assembled by competent personnel.

Prior to assembly check that all parts have been provided. See list of components, from page 15. If supporting feet have been ordered, follow assembly of these under paragraph for mounting of accessories first.

6.1 Assembly of frame

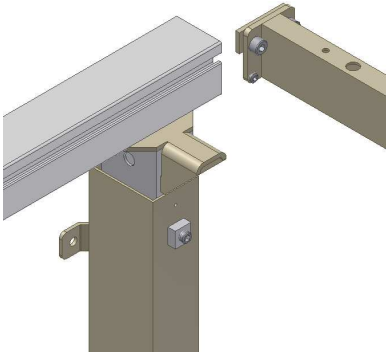


6.1.1 Push the legs into the groove of the lower side of the aluminium profile.

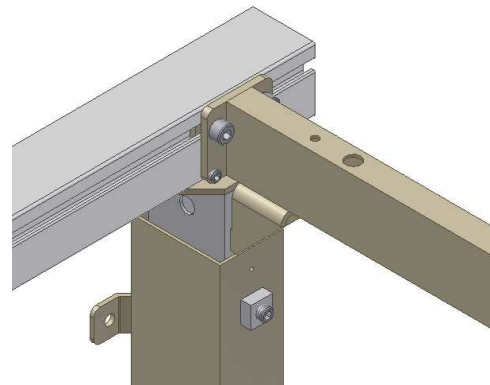


6.1.2 Position the adjustable legs on the aluminium profile, 2,5 cm from the left edge. If there are any socket outlets obstructing the legs, move the leg a little towards the middle. For frames with two legs, place one leg on either side. Secure each leg to the aluminium profile with two bolts. To obtain the correct height (65-95 cm without worktop) adjust the threaded bolt to each leg. After mounting, the threaded bolts can be turned up to be hidden by the leg.

6.2 Mounting the support arms

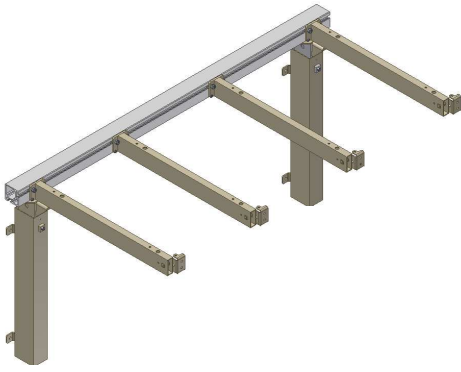


6.2.1 The support arms may be pushed into the aluminium profile from either side to the required position and fastened with two screws on each support.

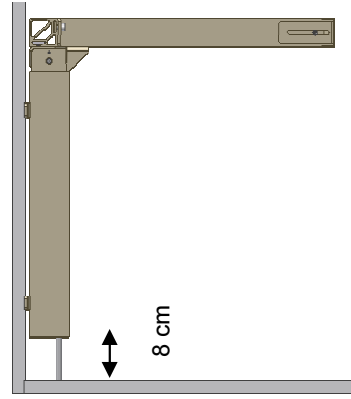


6.2.2 Where you have an adjustable leg **always** position a support arm directly over it. Do not adjust the tilting of the arm supports that are positioned on top of the legs (see 6.6.2).

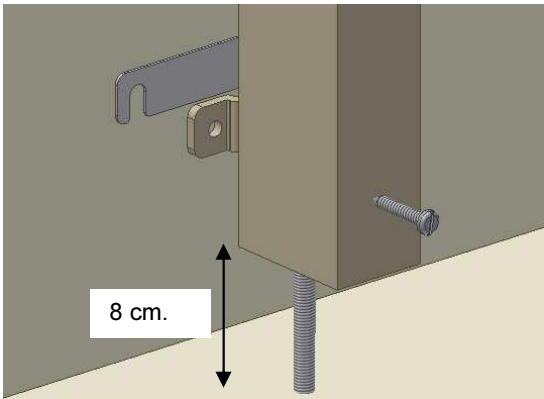
6.3 Mounting the frame on the wall



6.3.1 Place the frame against the wall and align it. Adjust the two threaded bolts under the legs to ensure that the frame is horizontal.

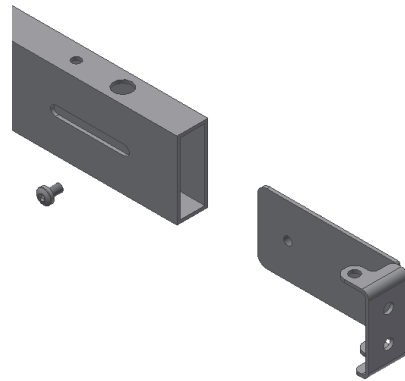


6.3.2 To obtain the correct height (65-95 cm without worktop) adjust the threaded bolt to each leg. After mounting, the threaded bolts can be removed. Mark and drill the holes for fastening. Fasten the frame to the wall by means of screws and raw plugs suiting the material of the wall.

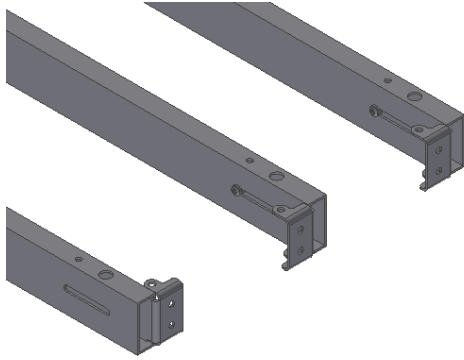


6.3.3 Misalignments up to 0,45 cm on the wall may be adjusted by fitting the provided spacers (0,15 cm) between the legs and the wall. Loosen the legs a bit and slide the spacers in between the wall and the legs, as required, at the top or bottom depending on whether the wall is vertical.

6.4 Mounting of fittings for front fascia

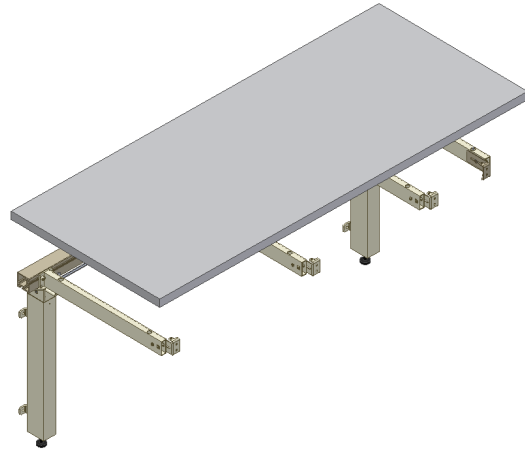


6.4.1 Fittings for mounting of the wooden front fascia are provided, corresponding to the number of support arms. Place the front fascia fittings on the side of the support arm and fasten them loosely by means of the screw provided.

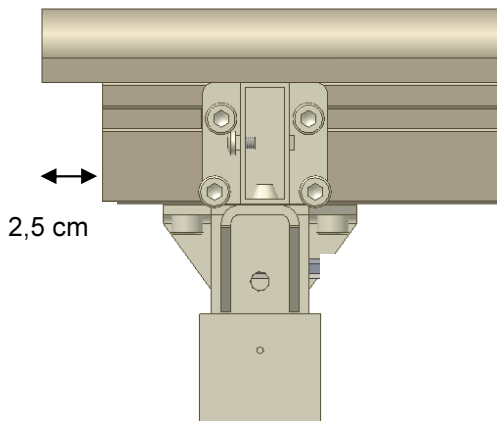


6.4.2 On the outermost support arms we recommend pointing the front fascia fittings towards the middle of the frame to prevent them from conflicting with the side fascia.

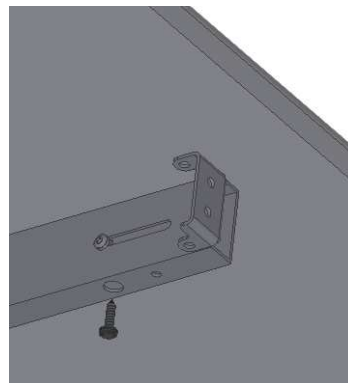
6.5 Mounting the worktop



6.5.1 Place the tabletop on the frame. The maximum permissible distance from the back of the tabletop to the wall is 0.5 cm. (safety issue)
If the frame is moved away from the wall, the distance from the back of tabletop to the wall **MUST** still be equal to or less than 0.5 cm.

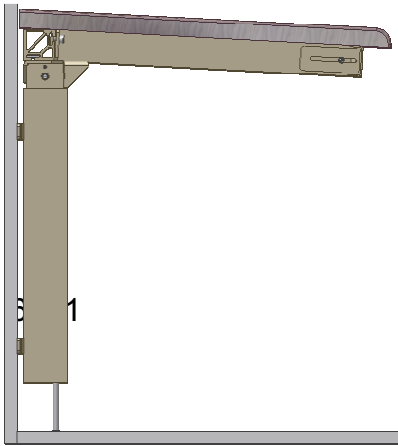


6.5.2 The standard aluminium profile is 5 cm shorter than the worktop, resulting in a 2.5 cm projection on either side.

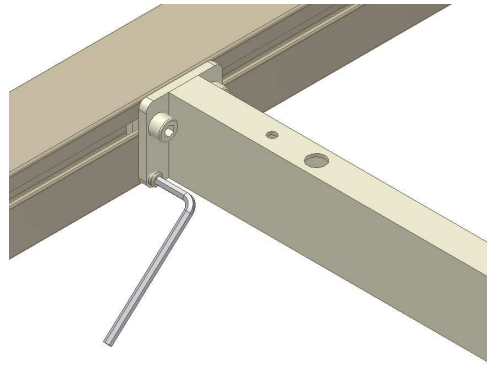


6.5.3 Fasten the worktop with screws through the holes of the support arms.

6.6 Adjusting the worktop/ support arms



6.6.1 After placing the worktop on the frame you may have to compensate for the weight of the worktop if the frame is no longer horizontal from the wall to the front fascia.



6.6.2 By means of the two lower screws of each support arm the "tilting" may be adjusted.

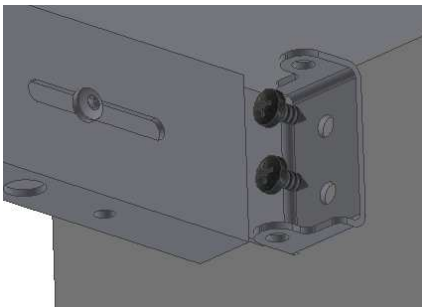
Start by loosening the two screws fastening the support arm to the aluminium profile and adjust the two lower screws to make the worktop horizontal.

Finally retighten the two upper screws. Repeat this procedure for the support arms in the middle.

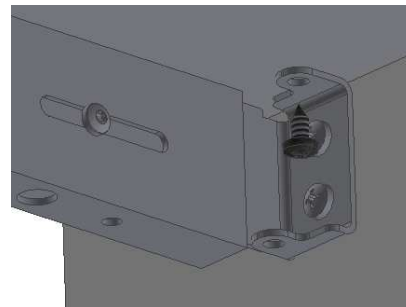


Do not adjust the support arms placed directly above the legs.

6.7 Mounting the wooden front fascia



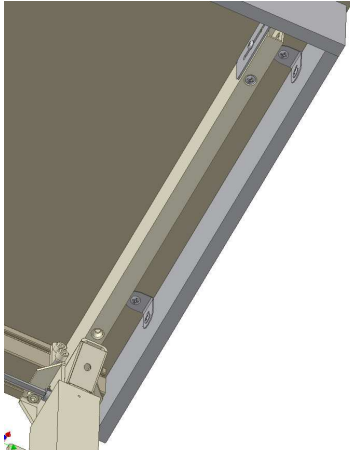
6.7.1 Fasten the wooden front fascia at the required position under the worktop by means of a clamp. Press the front fascia fittings forward against the wooden front fascia and fasten with screws from the inside.



6.7.2 By screwing the front fascia fittings into the worktop you pull the front fascia upward.

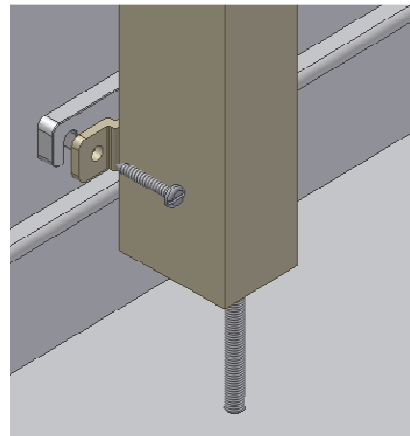
Finally tighten the screws on the side of the support arm.

6.8 Mounting the side fascia



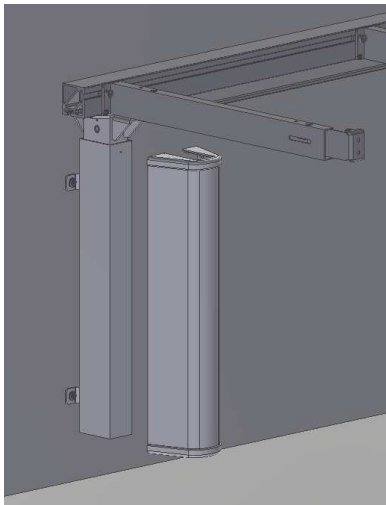
6.8.1 Furniture fittings are provided with the frame to keep the wooden side fascia up against the worktop.

6.9 Mounting of distance plates (1cm) for skirting board



6.9.1 In case of skirting boards, you can use the 1 cm deep distance plate to pack the frame out from the wall.

6.10 Mounting of covers



6.10.1 Place the 2 endcaps on standard cover and push over outer leg.

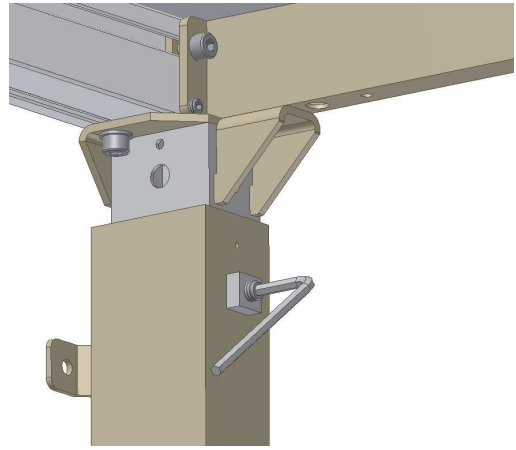
6.11 Adjusting the height of the worktop, by using the Jack-Up unit



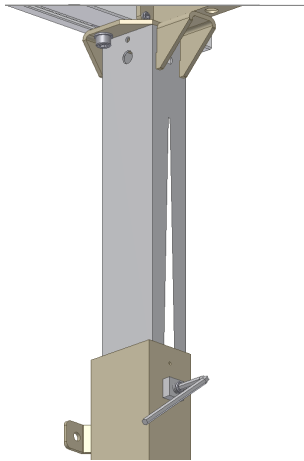
6.11.1 Position the Jack-up underneath the frame in the centre position - the top of the Jack-up fits into the groove of the aluminium bar.



6.11.2 Adjust the Jack-Up so that it bears the weight of the worktop. Loosen the two bolts (see 6.11.3), one on each leg. Adjustment to the desired height can be done by winding the handle on the Jack-Up.



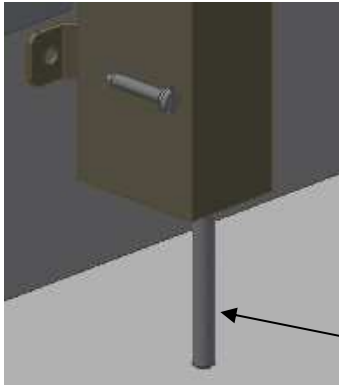
6.11.3 Fasten the bolt on one side, making sure that the worktop is horizontal before fastening the second bolt. (If the frame has three legs, three bolts must be fastened)



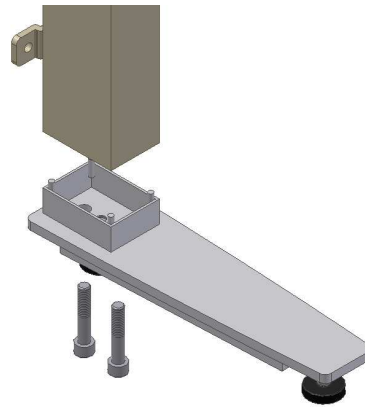
6.11.4 The inner leg is bevelled so that the upper frame can only move down slowly, as the bolt is loosened.

7. Mounting of accessories

7.1 Mounting the supporting feet

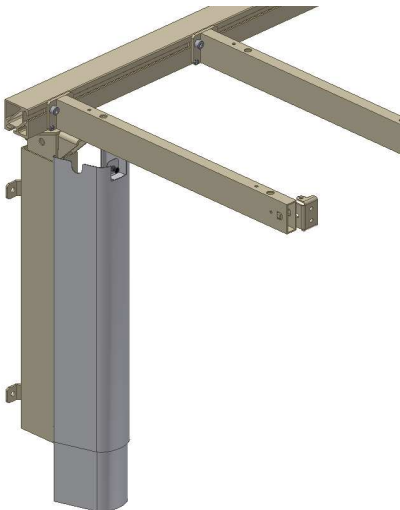


7.1.1 Remove the adjusting screw of the leg.

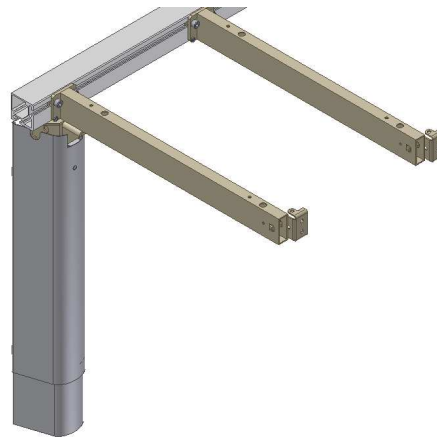


7.1.2 Fit the foot and the extension to the leg with the screws provided and tighten the screws.

7.2 Mounting the covers for the legs

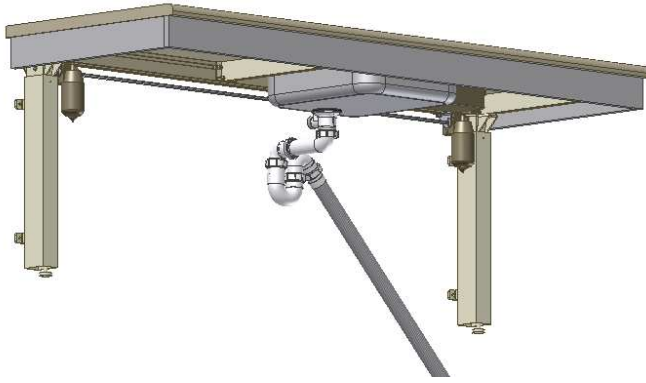


7.2.1 Press the covers, consisting of an inside and an outside cover, carefully over the leg.



7.2.2 Lift up the upper/outside cover and press the snap lock into the hole of the leg. It is important to pull the snap lock completely out prior to mounting. Now press in the snap lock to lock it.

7.3 Mounting the flexible water connections and waste hoses



7.3.1 When connecting hot and cold water as well as waste hoses ALWAYS use flexible hoses to enable the frame to move freely within the height adjustment range (65-95 cm). The flexible hoses should be fitted so that they may move in an arch parallel with the wall, but without getting squeezed. The length of the hoses must suit the fastening and the travel of the frame. We recommend that water seal and waste pipe be directed backwards towards the wall in order to obtain optimum space under the table and the sink.

8. Performance test

After installation and prior to use all functions of Flexi must be tested. The test must be carried out by competent personnel. Subsequently the test shall be carried out at least once a year:

1. Check that the mounting instructions have been observed.
2. Check that all bolts have been tightened.
3. There must be no load on the frame.
4. There must be nothing preventing the frame from moving freely within the height adjustment range (65-95 cm).
5. If all these tests are ok, the FlexiBasic is ready for use.

9. List of components for FlexiBasic for worktop 60-300 cm

Legs, standard height 65-95 cm. 30-63400:

Length of worktop = 60-300 cm

The legs comprise:

30-67681 Spacers (0.15 cm)
For misalignment

2 legs

3 pcs./leg

30-67680 Distance plates (1 cm)
For skirting board

2 pcs/leg

30-67685 Cable bearer

1 pc./leg

30*65591-008 Basic cover

1 pc/leg

30*65591-009 End cover for basic cover

2 pcs/leg

Support arm for worktop 60-62 cm 30-67620:

Length of worktop = 60-104 cm

2 pcs.

Length of worktop = 105-204 cm

4 pcs.

Length of worktop = 205-249 cm

5 pcs.

Length of worktop = 250-300 cm

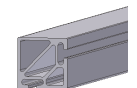
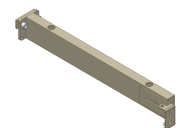
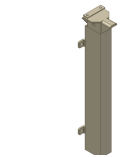
7 pcs.

Aluminium profile 30-68xxx:

Length (XXX) = Worktop length ÷ 5cm

1 pc.

At increments of 5 cm



10. Options for FlexiBasic

Jack-up unit for FlexiBasic 30-63402:

1 stk.

Jack-up comprise:

20*60320-297 Handle

1 stk



Support arm for worktop depth 70-72 cm 30-67621:

Length of worktop = 60-104 cm

2 pcs.

Length of worktop = 105-204 cm

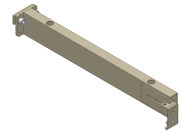
4 pcs.

Length of worktop = 205-254 cm

5 pcs.

Length of worktop = 255-300 cm

7 pcs.



Support arm for worktop depth 58-60 cm 30-67624:

Length of worktop = 60-104 cm

2 pcs.

Length of worktop = 105-204 cm

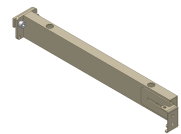
4 pcs.

Length of worktop = 205-254 cm

5 pcs.

Length of worktop = 255-300 cm

7 pcs.



Support arm for worktop depth 50-52 cm 30-67622:

Length of worktop = 60-104 cm

2 pcs.

Length of worktop = 105-204 cm

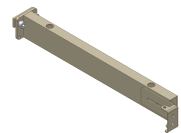
4 pcs.

Length of worktop = 205-254 cm

5 pcs.

Length of worktop = 255-300 cm

7 pcs.



Distance plate (1 cm) 30-67680:

For skirting board

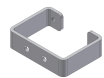
1 pc.



Distance bracket (7 cm) 30-67672:

For void behind the frame

1 pc.



Cover 30-67735:

Length of worktop = 60-300 cm

2 pcs.



Cover for supporting foot 30-67737:

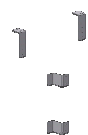
Length of worktop = 60-300 cm

2 pcs.



Fittings for concealment panels 30-67760:

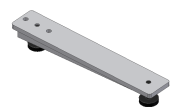
1 set



Supporting foot, L = 30 cm 30-67702:

Length of worktop = 60-300 cm

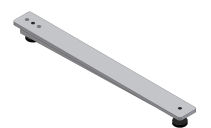
2 pcs.



Supporting foot L = 49 cm 30-67703:

Length of worktop = 60-300 cm

2 pcs.



Each foot comprises:

30*65561-004 Leg extension for foot

1 pc.



11. Safety in use

- The Flexi frame should only be used by people, who have read and understood these instructions.
- Flexi is a height-adjustable frame and should not be used as a lifting table or person lifter.
- Always use the Flexi frame so there is no risk of damage to people or property. The person, who operates the Flexi frame, is responsible for avoiding damage or injury.
- Make sure that there is free space above and below the Flexi frame to allow height adjustment.
- Do not overload the Flexi frame and make sure that the load distribution is correct.
- Any modification of the Flexi frame, which may influence its operation or construction, is forbidden.
- Installation, service and repairs must be carried out by competent personnel.
- In case of inspections, service or repairs make sure that the Flexi frame is not loaded.
- If the Flexi frame has not been installed in accordance with these mounting instructions, the guarantee may become void.
- Only use Ropox original spare parts as replacement parts. If other spare parts are used, the guarantee may become void.

12 Cleaning and maintenance

12.1 Cleaning

The frame may get dirty during use. It is very important to clean the frame as described in these instructions.

Clean the frame with a damp cloth using lukewarm water and ordinary cleaning agents. Do not use Corrosive/ abrasive liquids or abrasive cloths, brushes or sponges. After cleaning dry the frame.

12.2 Maintenance



Inspections, service and repairs must be carried out by competent personnel

The frame is maintenance-free and the moving parts have been lubricated for life. For reasons of safety and reliability we recommend inspection of the frame once a year.

During inspections:

- Check that all bolts have been tightened.
- Check that the frame moves freely from bottom to top position without problems.
- Check that water and waste pipes are tight and undamaged.
- Check that all cables have been fitted correctly and are undamaged.

After each inspection the service schedule shall be filled in. See item 12.3.



Only use Ropox original spare parts as replacement parts. If other parts are used, the guarantee may become void.

12.3 Service schedule, operation and maintenance

Service and maintenance	Serial
No.:	
Date:	_____
Sign:	_____
Remarks:	_____

Service and maintenance	Serial
No.:	
Date:	_____
Sign:	_____
Remarks:	_____

Service and maintenance	Serial
No.:	
Date:	_____
Sign:	_____
Remarks:	_____

Service and maintenance	Serial
No.:	
Date:	_____
Sign:	_____
Remarks:	_____

13. Trouble shooting

a) The frame seems loose or unstable

The screws assembling the frame have not been securely tightened.
Tighten all screws, cf. mounting instructions.

b) The worktop is not horizontal in relation to the wall

After installation of the frame the worktop will be loaded. This deflection may be balanced by repeating item 6.8 "Adjusting the Support arms" of the mounting instructions.
Also check that the legs are vertical – see item 6.3.

c) The height of the frame cannot be adjusted / adjustment seems very difficult

1. Check that the frame is not overloaded.
2. Check that the frame moves freely and that no objects have been squeezed above or below the worktop.

14. CE-marking

Ropox FlexiBasic incl. Jack-up unit 30-63xxx-x

are all under Classification Class I and in conformity with the following directives and standards:

DIRECTIVES

The Council Directive No.93/42/EEC, concerning Medical Devices amended through Directive No.98/79/EC

STANDARDS

DS/EN	1041+A1: 2013	DS/EN 12182: 2012
DS/EN	14971: 2012	DS/EN ISO 9999: 2012

Declarations of Conformity can be supplied upon request.

15. Complaints

We refer to our general Terms of sale and delivery on our homepage www.ropox.com



ROPOX A/S

Ringstedgade 221

DK – 4700 Næstved

Tel.: +45 55 75 05 00 Fax.: +45 55 75 05 50

E-mail: info@ropox.dk

www.ropox.com