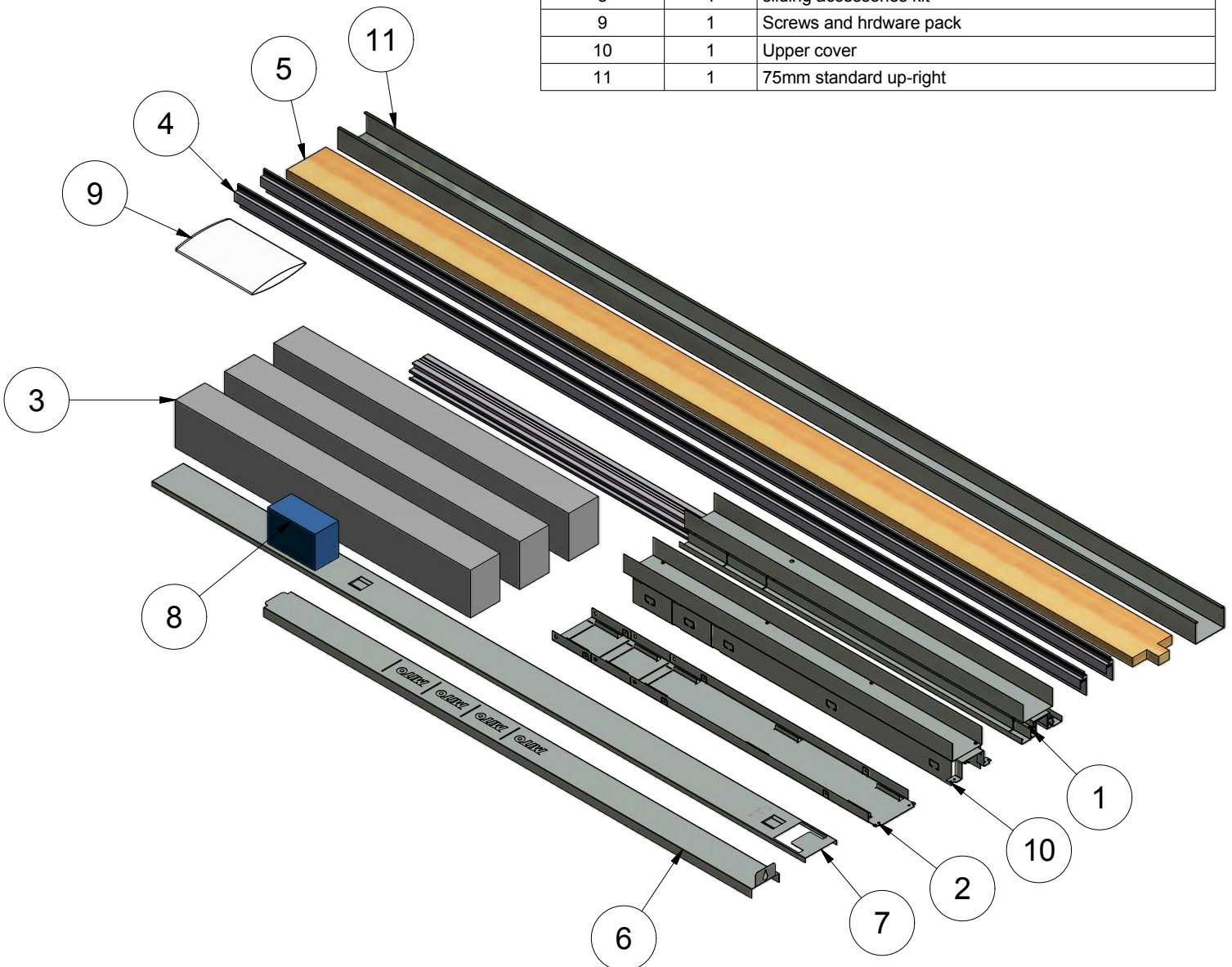
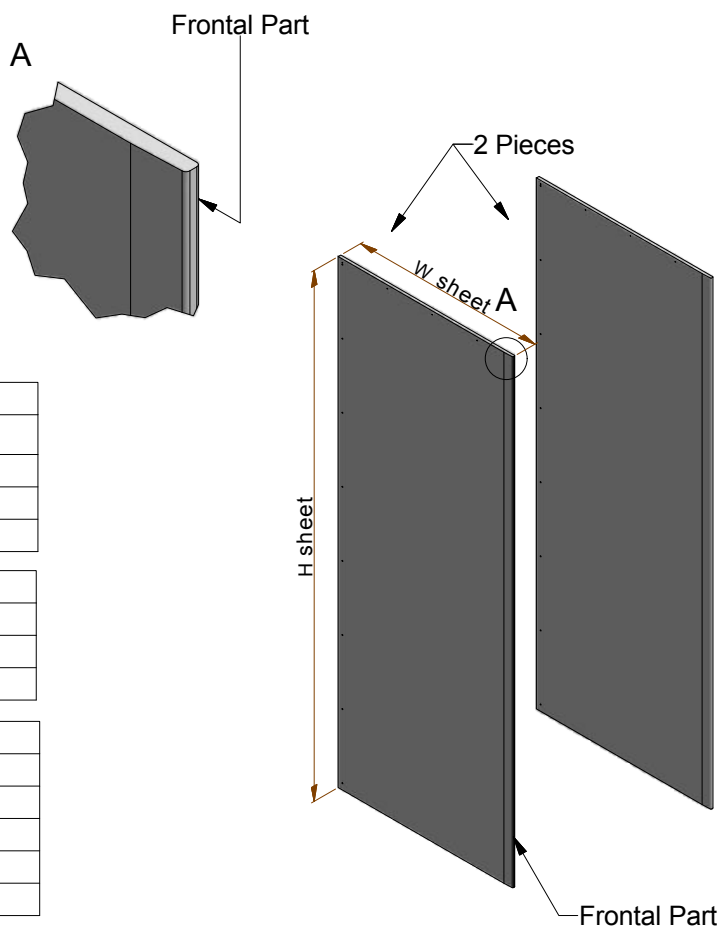


List of Pieces		
Piece	Q.ty	Element name
1	1	Upper rail
2	1	Cover below
3	3	Polystyrene pad
4	2	Frontal aluminium profile
5	1	Wooden up-right
6	1	Spacer below
7	1	Frontal cover
8	1	sliding accessories kit
9	1	Screws and hrdware pack
10	1	Upper cover
11	1	75mm standard up-right



# XL KIT INSTALLATION

Cut the two plaster-board sheets according to the necessary size following the list below. We advise to turn the uncut side of the sheet to the frontal cover to keep a perfect square.

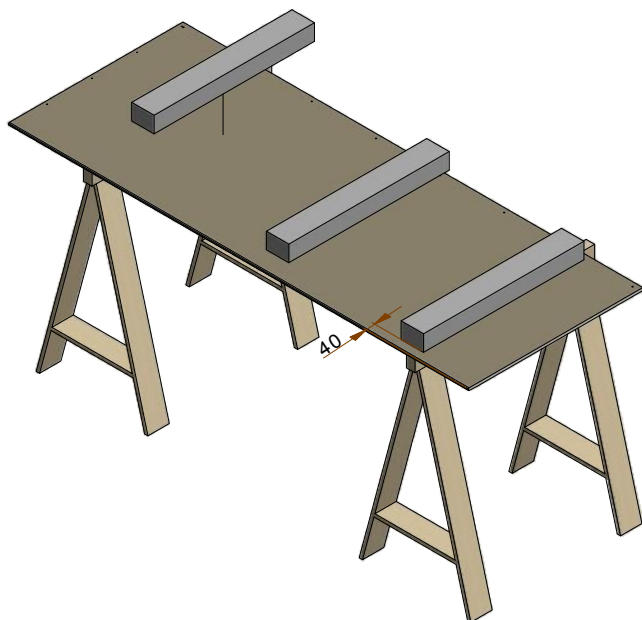


KIT 1 Sheet dimensions			
W light	H light	W sheet	H sheet
600	2030	615	2080
700	2030	715	2080
800	2030	815	2080

KIT 2 Sheet dimensions			
W light	H light	W sheet	H sheet
900	2030	915	2080
1000	2030	1015	2080

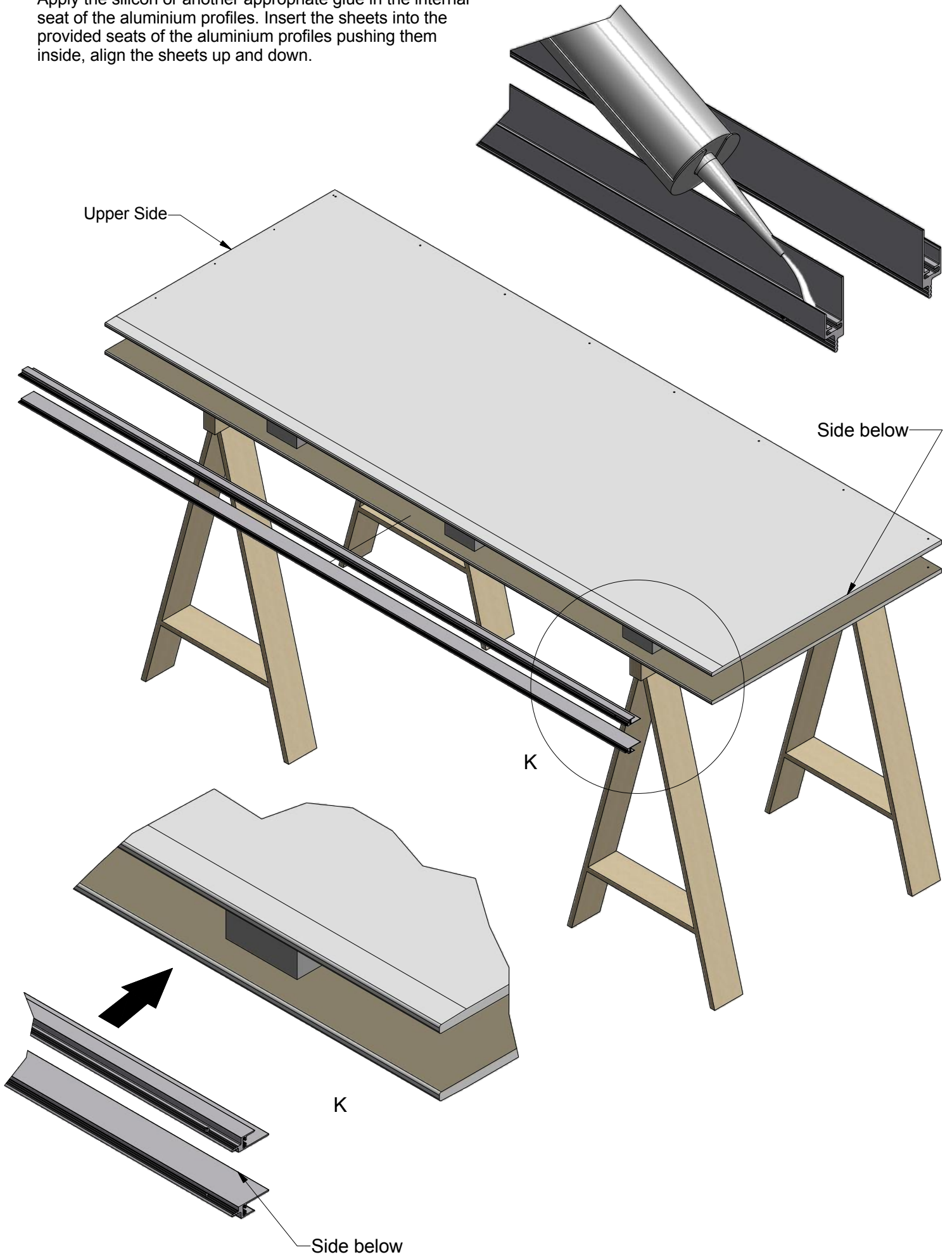
KIT 3 Sheet dimensions			
W light	H light	W sheet	H sheet
661	1971	715	2020
737	1971	815	2020
813	1971	915	2020
900	1971	915	2020

Place the first sheet on the sawhorses, the sheet has to put out of some centimetres to facilitate the installation steps. Place the polystyrene spacers as indicated in the picture.

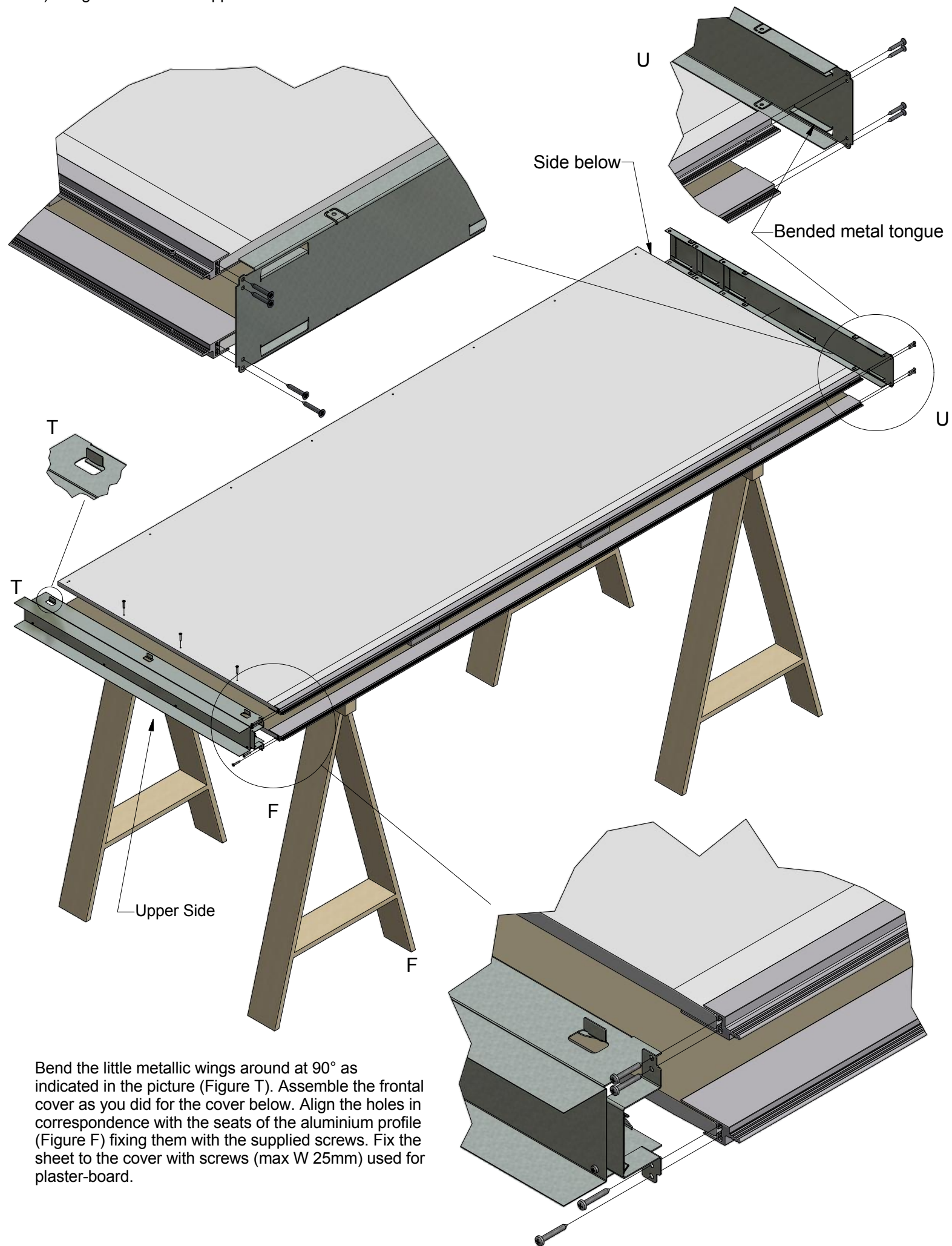


Place the second sheet on the polystyrene spacers aligned to the sheet below.

Apply the silicon or another appropriate glue in the internal seat of the aluminium profiles. Insert the sheets into the provided seats of the aluminium profiles pushing them inside, align the sheets up and down.



Assemble the cover below (Figure U) taking care that the sheet has been inserted between the external edge of the cover and inside the metal tongue. Align the holes of the cover in correspondence with the seats of the aluminium profile (Figure U) fixing them with the supplied screws with flared head.

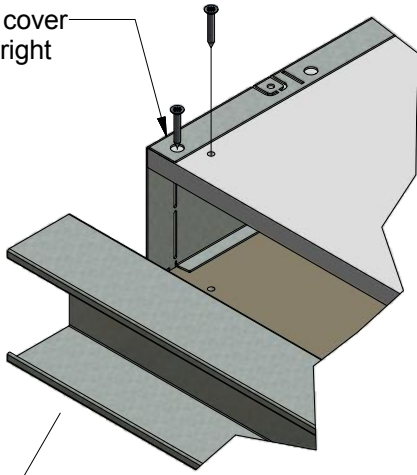


Bend the little metallic wings around at 90° as indicated in the picture (Figure T). Assemble the frontal cover as you did for the cover below. Align the holes in correspondence with the seats of the aluminium profile (Figure F) fixing them with the supplied screws. Fix the sheet to the cover with screws (max W 25mm) used for plaster-board.



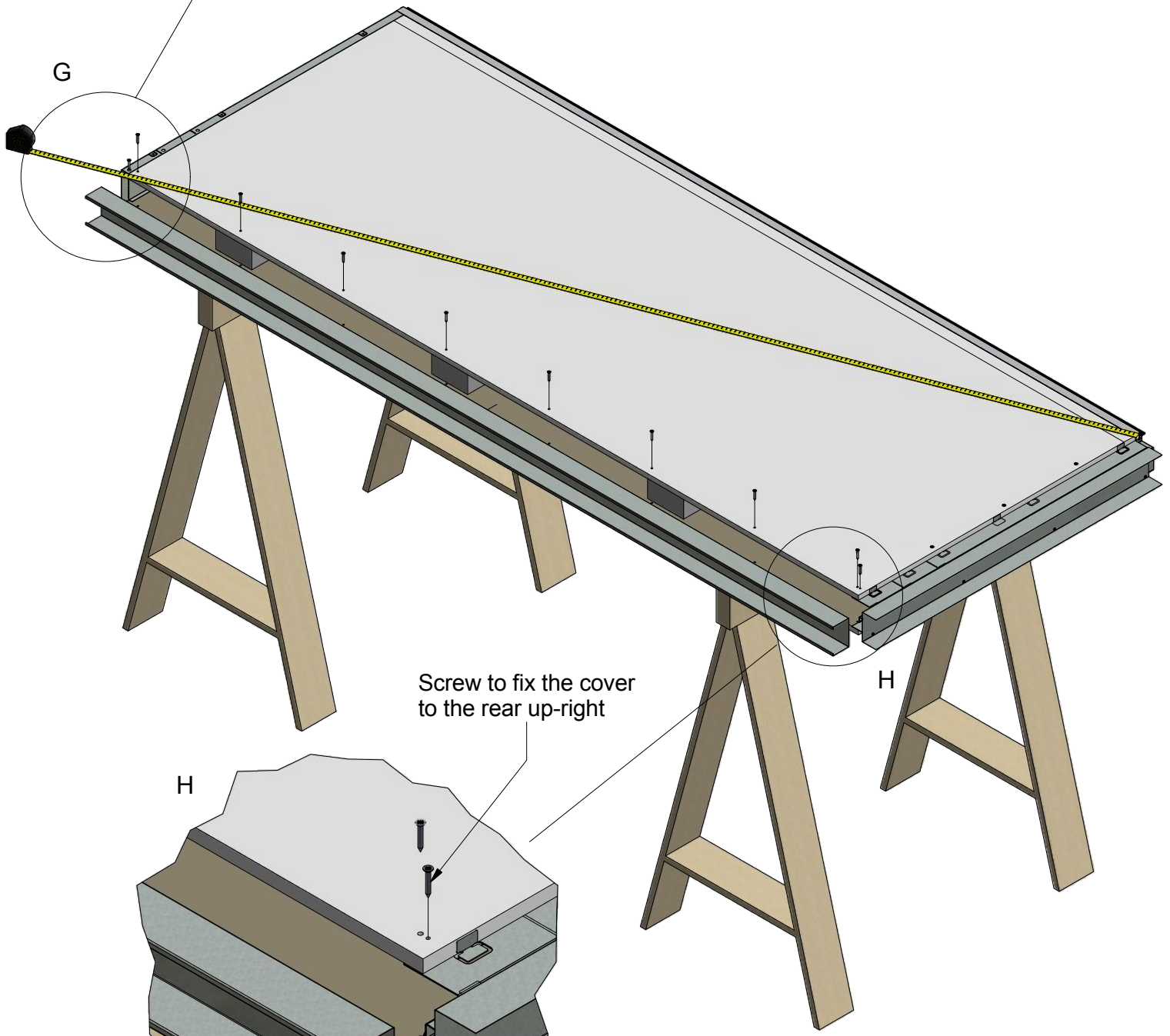
Hole to fix the cover to the rear up-right

G



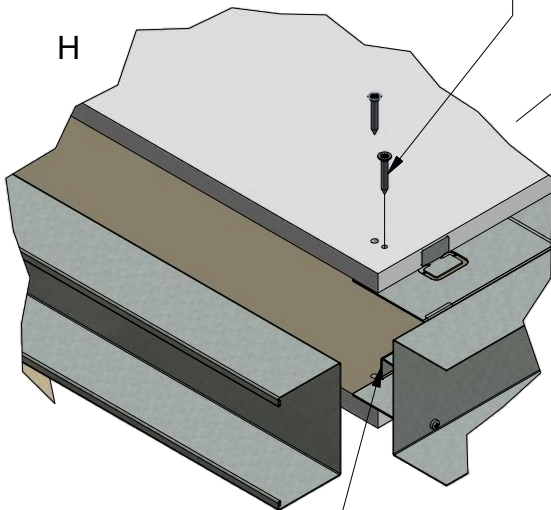
Insert the rear up-right between the two sheets following the marks there are on the covers (Figure G and H). Before fixing everything together, check the diagonals of the structure and the square. Fix now the sheet to the up-right with standard screws for plaster-board.

G



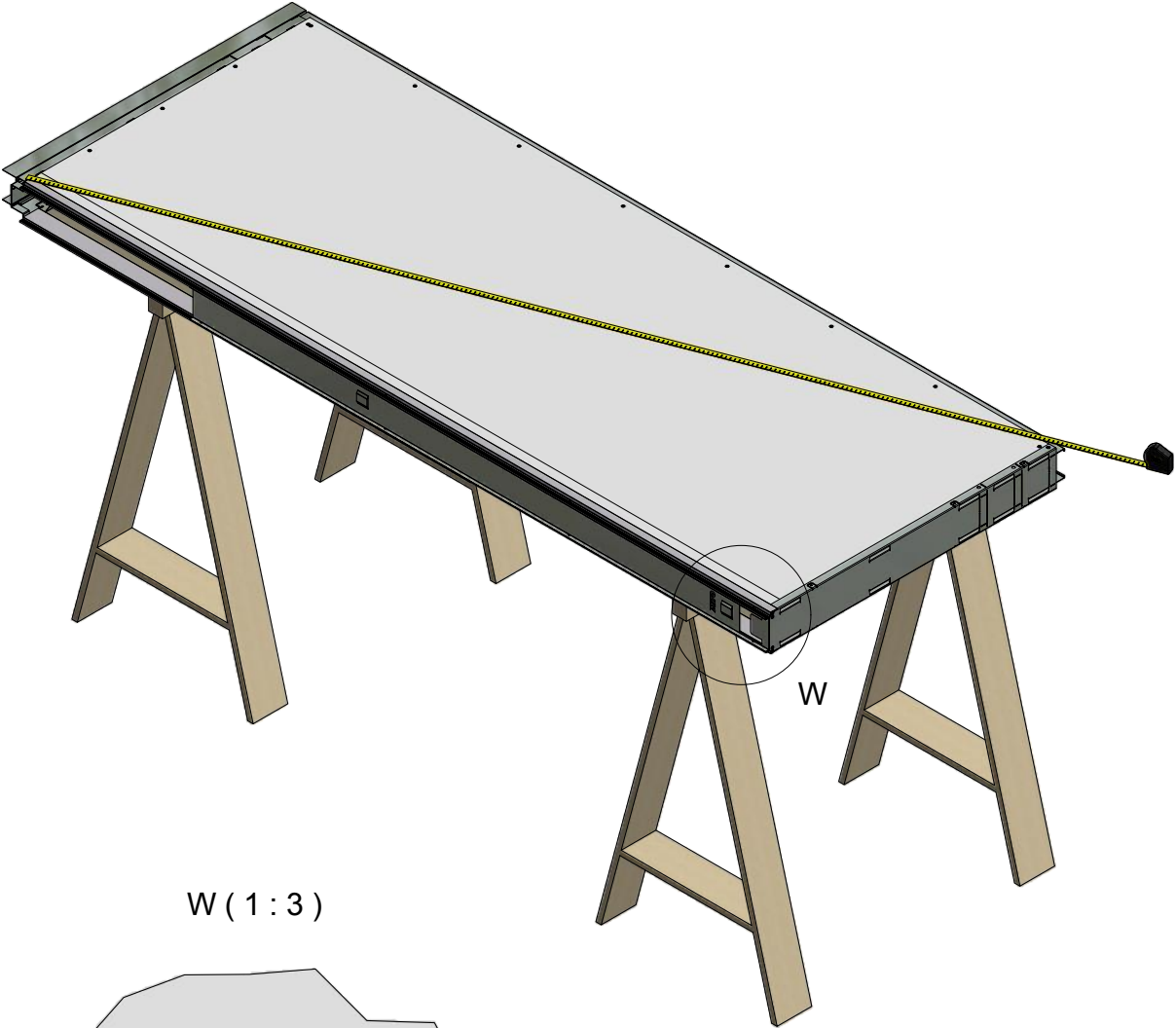
Screw to fix the cover to the rear up-right

H

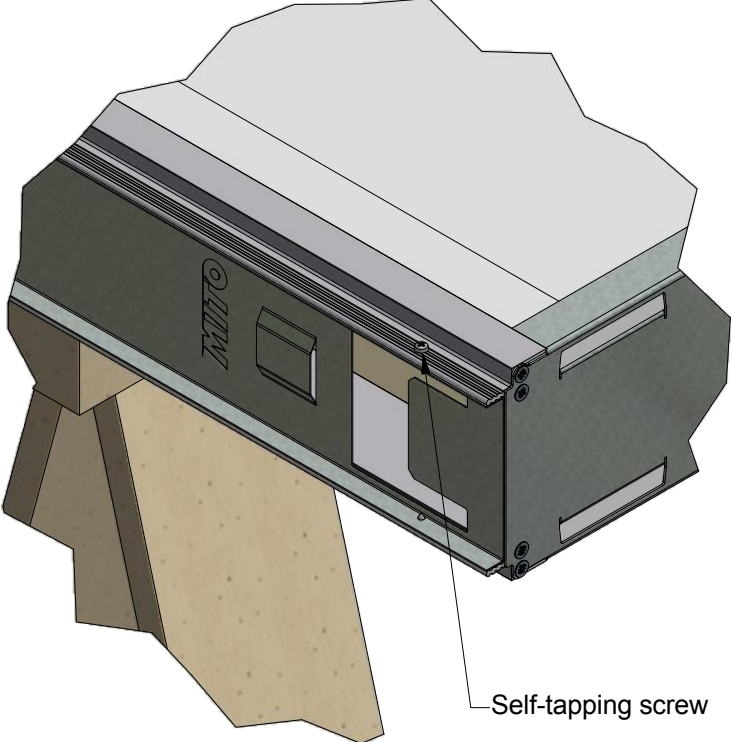


Tongue to stop the up-right

Fix now the the frontal cover to the aluminium profiles, always checking the diagonals of the structure and the square. The cover has to be inserted keeping the sliding accessories box inside the structure and the lower part aligned to the cover.



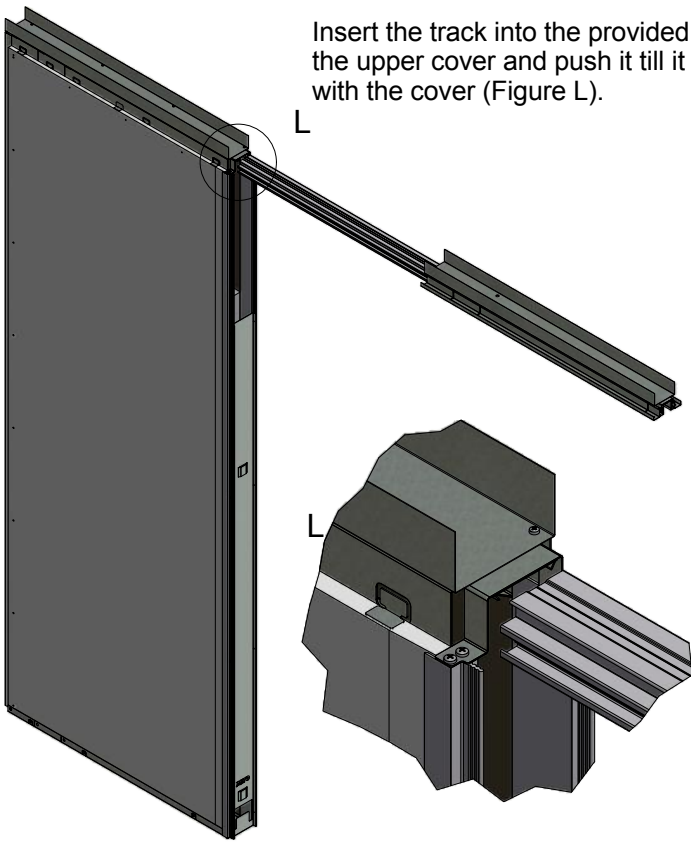
W (1 : 3)



Self-tapping screw

Insert the track into the provided seat of the upper cover and push it till it beats with the cover (Figure L).

L

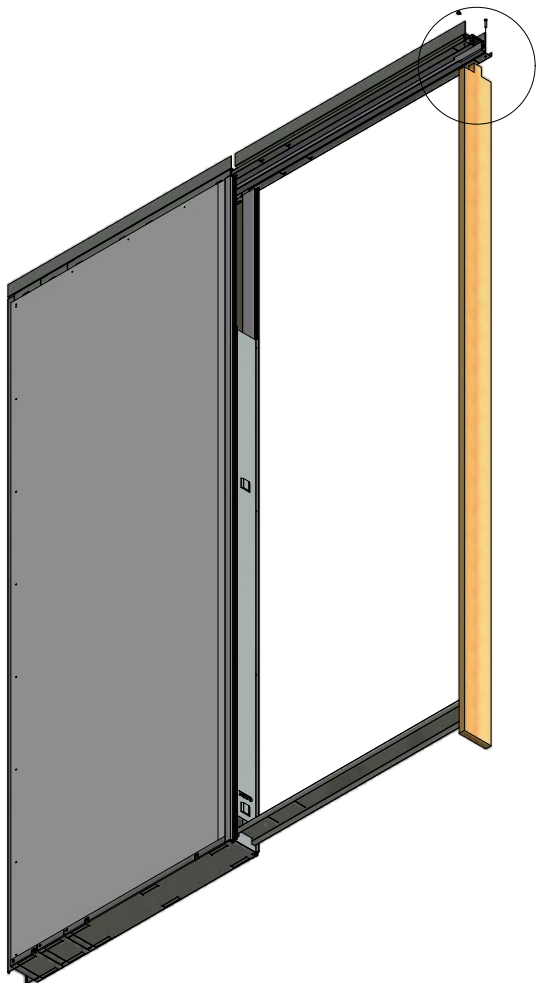


Insert the spacer into the provided seat there is in the low part of frontal cover, place it according to the desired length.

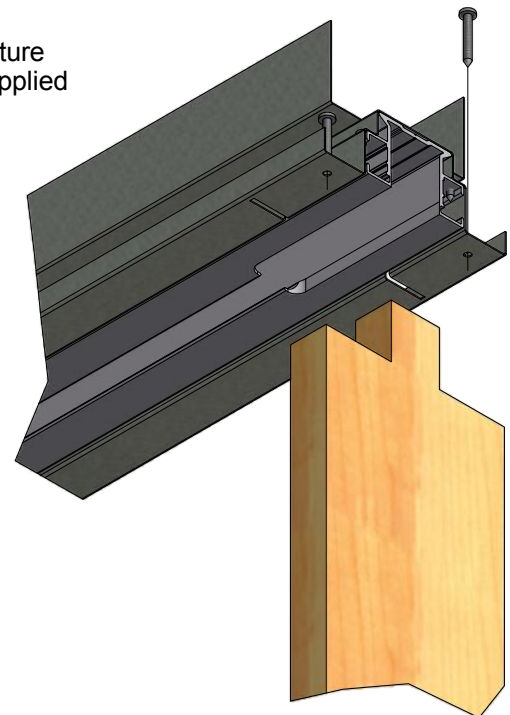


M

Place the wooden impact up-right as indicated in the picture M and fix it with supplied screws.

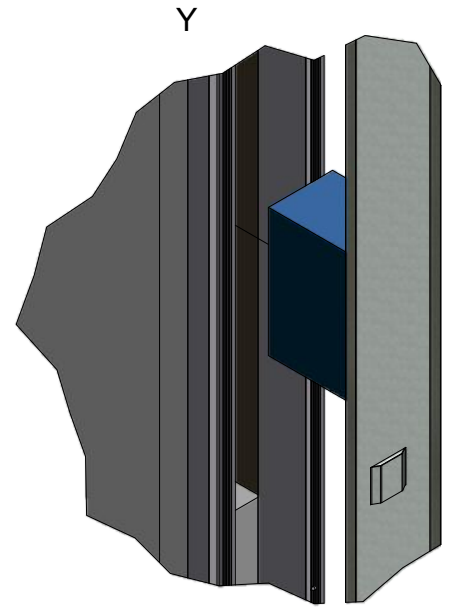
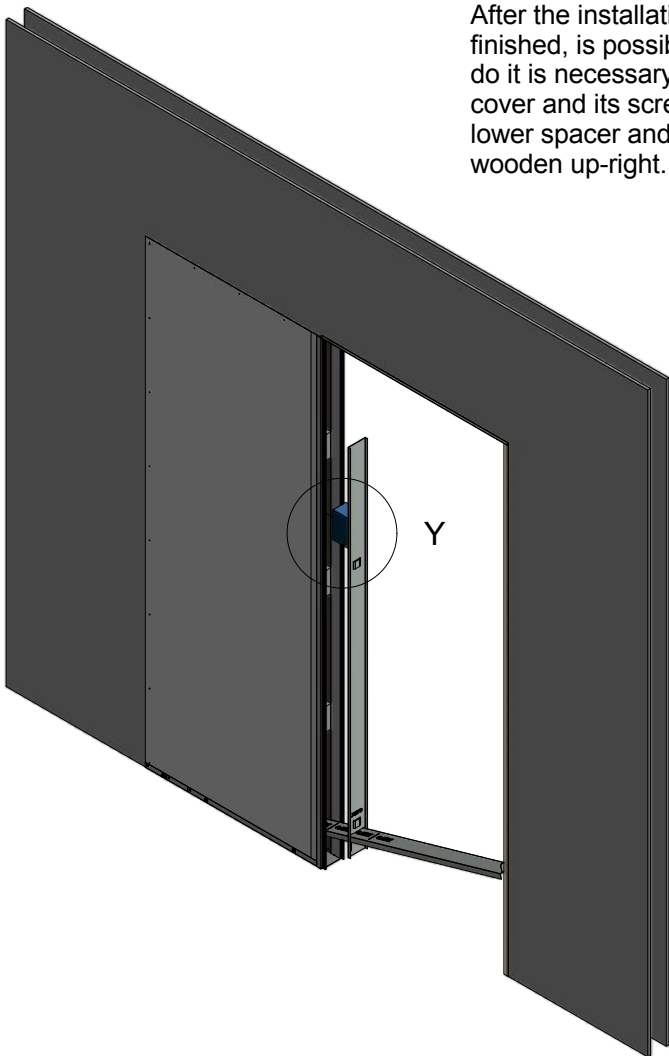


M



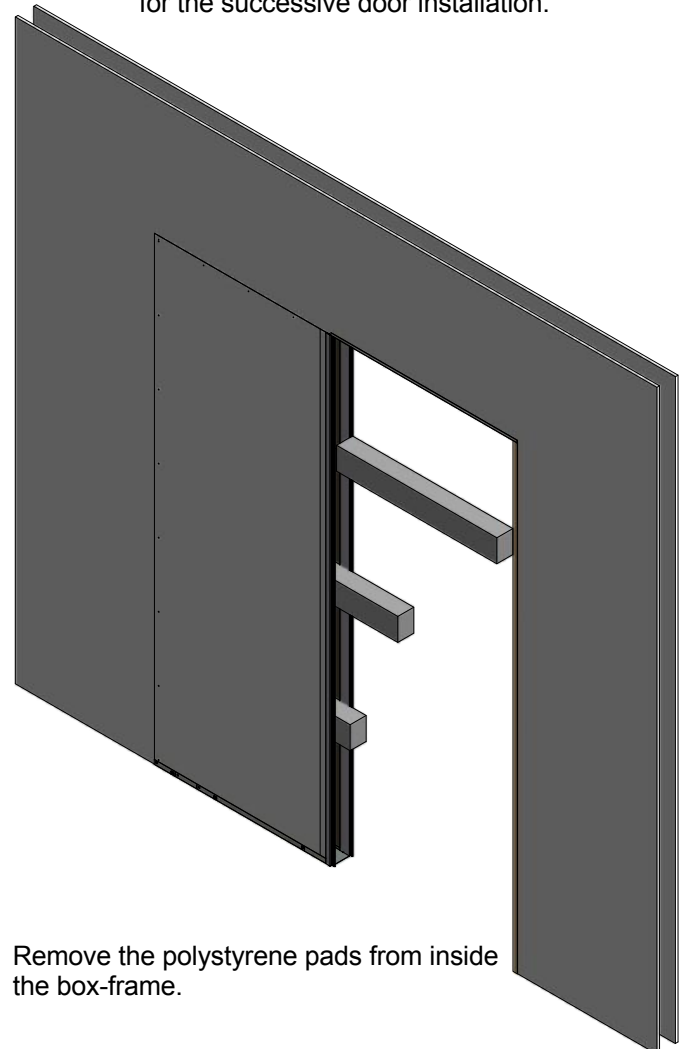
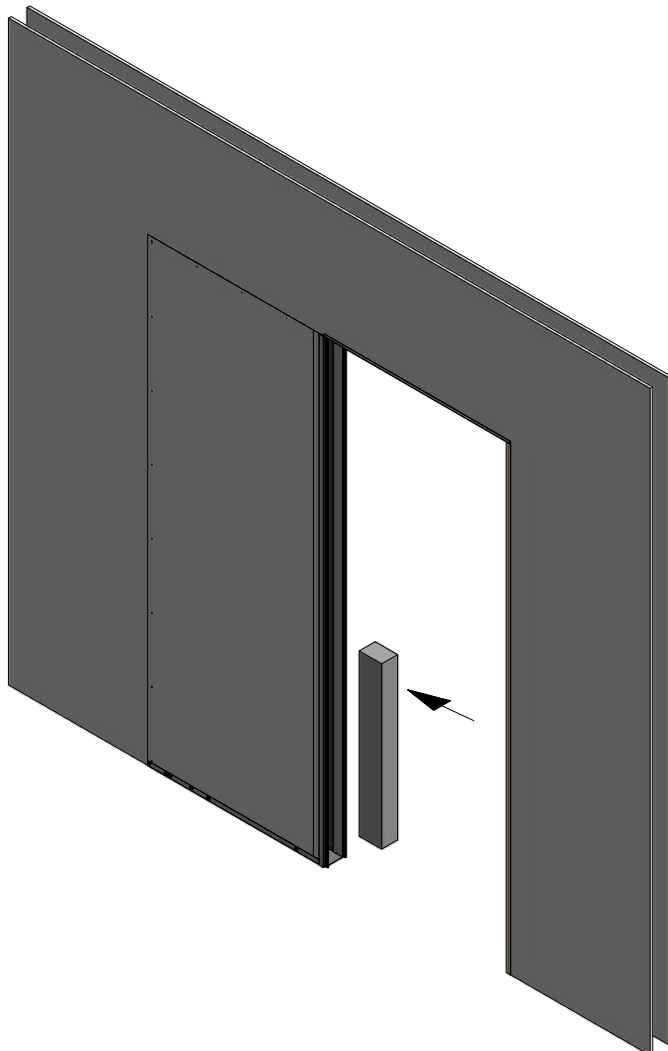
XL box-frame is ready to be placed aligned to the wall to be built.

After the installation and when the wall is finished, is possible to install the door; to do it is necessary to remove the frontal cover and its screws, to remove also the lower spacer and the fixing screw of the wooden up-right.



**Pay attention!**

Remove the sliding accessories kit and keep it for the successive door installation.



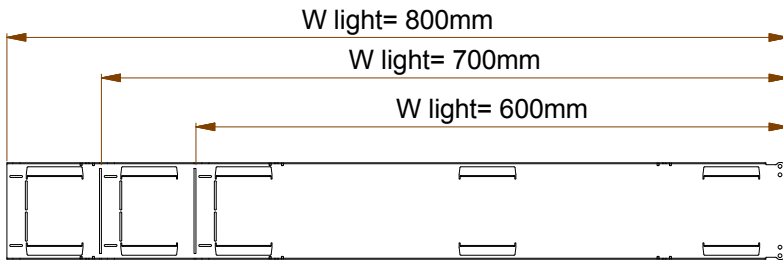
Remove the polystyrene pads from inside the box-frame.

If necessary (Example: smaller door then the internal box-frame seat or to keep part of the door outside the box-frame) is possible to use a polystyrene pad (or another material you can chose) to reduce the internal box-frame measure.

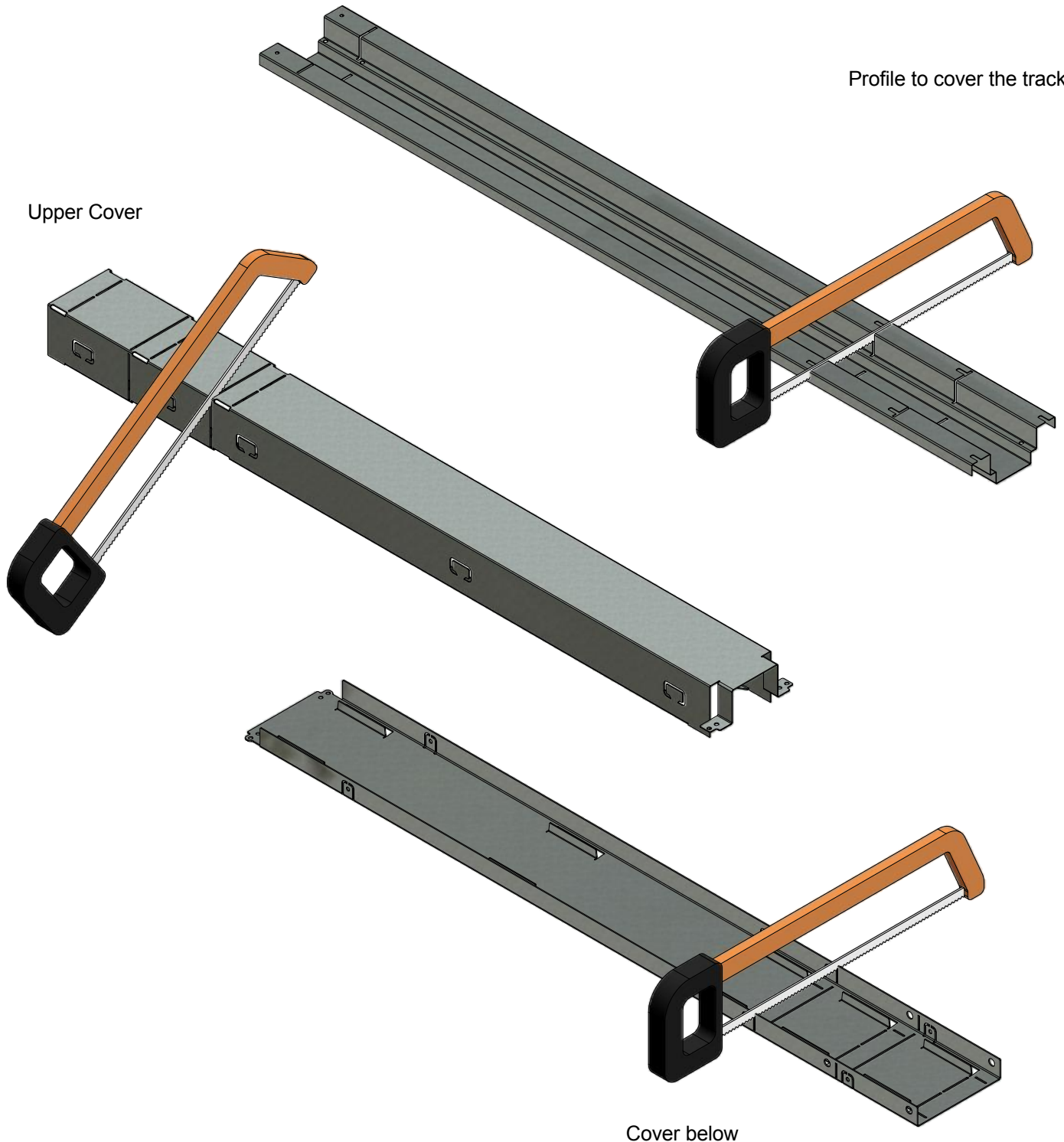


To get smaller sizes respect the kit you have, you can cut the profile that covers the track, the upper and lower cover of the desired measure, taking as a reference the marks there are in all the parts.

Example: Cover below

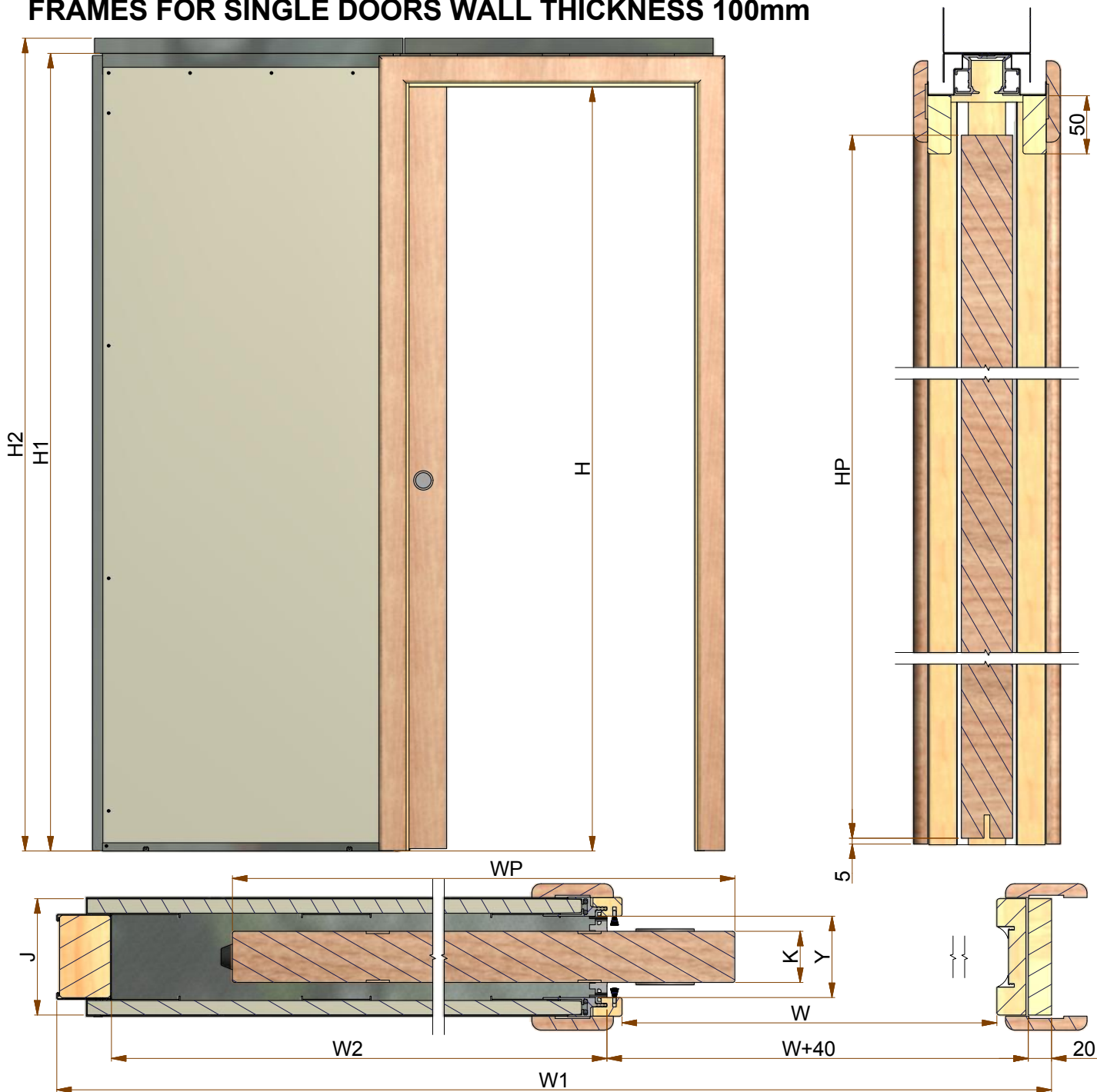


Profile to cover the track



Cover below

# FRAMES FOR SINGLE DOORS WALL THICKNESS 100mm



## Dimensions Kit 1:

Cod.	W	H	W2	W1	H1	H2	WP	HP	J	Y	K
/	600	2030	615	1322	2120	2157	626	2040	100	70	44
/	700	2030	715	1522	2120	2157	726	2040	100	70	44
99690053	800	2030	815	1722	2120	2157	826	2040	100	70	44

## Dimensions Kit 2:

Cod.	W	H	W2	W1	H1	H2	WP	HP	J	Y	K
/	900	2030	915	1922	2120	2157	926	2040	100	70	44
99690054	1000	2030	1015	2122	2120	2157	1026	2040	100	70	44

## Dimensions Kit 3:

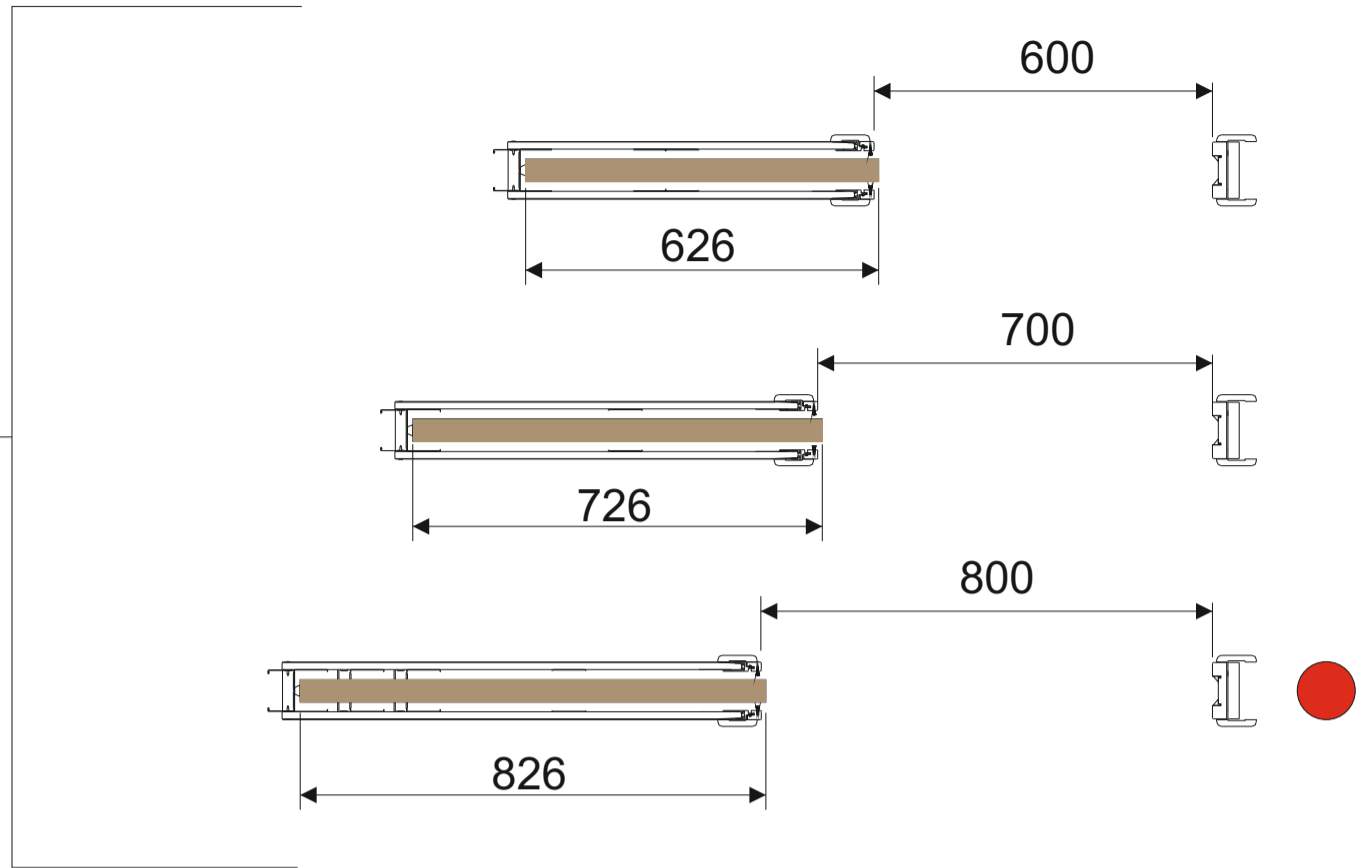
Cod.	W	H	W2	W1	H1	H2	WP	HP	J	Y	K
/	661	1971	715	1483	2061	2098	686	1981	100	70	44
/	737	1971	815	1660	2061	2098	762	1981	100	70	44
/	813	1971	915	1836	2061	2098	838	1981	100	70	44
99690055	900	1971	915	1922	2061	2098	914	1981	100	70	44

## Dimensions Kit 4:

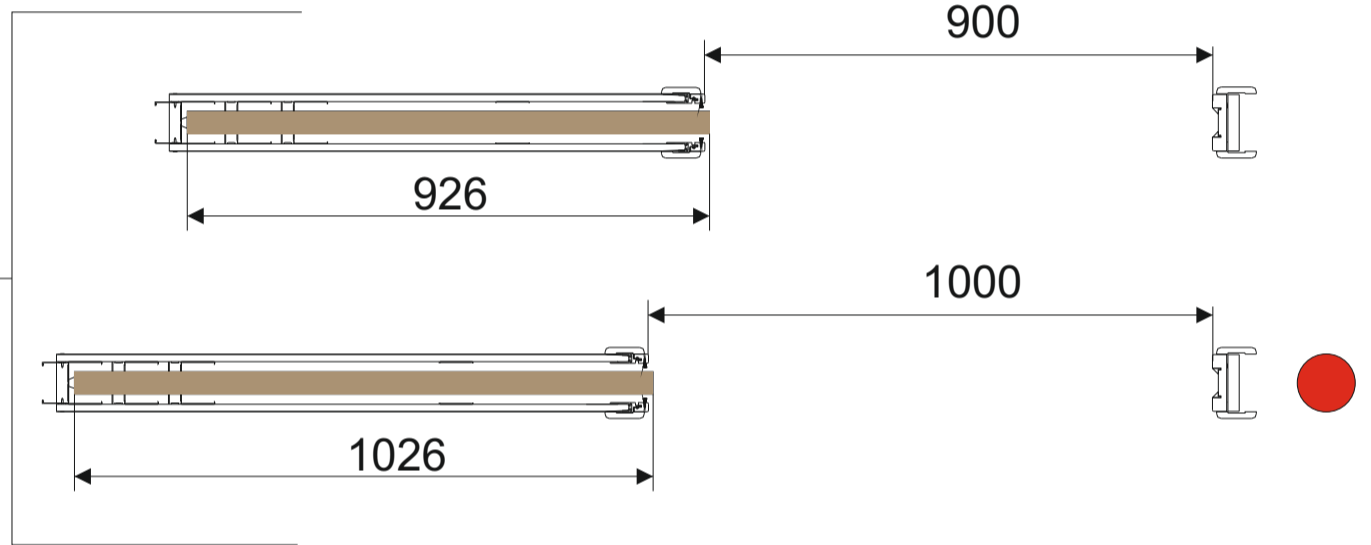
Cod.	W2	H1
99690056	1050	2500

# Dimensions:

## Kit 1



## Kit 2



## Kit 3

