

LIBRA is the innovative family of CABINET HANGERS and WALL PLATES especially conceived to satisfy all the customer's needs. The LIBRA hangers are to be installed behind the rear panel with the only small cover caps left visible inside the cabinet.

LIBRA is a very resistant and reliable solution as the zinc-coated steel body is sensibly thicker, and therefore stronger.

All the models within the **LIBRA** family feature an innovative **ANTI-TURNOVER** device which is covered by patent.

LIBRA H2 is the universal cabinet hanger 3 dowels + rotary lever.

Also featured in the **LIBRA** family are 5 types of wall plates and 1 types of wall bars made of very thick zinc-coated steel and hardened by punched impressions.

Wall bars and wall plates feature oval holes which facilitate the correct positioning and give the possibility to carry out the horizontal adjustment.

Placement of the holes for wall-fixation has been optimised to reduce the stress on the plates and on the plugs.

LIBRA cabinet hangers allow to adjust the cabinet vertically and horizontally. The 2 movements are 100% INDEPENDENT of each other and therefore make the adjustments much easier and more efficient.

The adjustment and the locking of the **ANTI-TURNOVER** bolt can be carried out from the inside of the cabinet by using a standard PZ2 screwdriver.

Capacity Loading 75 Kilos per piece in accordance with the regulation DIN 68840

Steel, Zinc alloy and Engineering plastic according to related version.

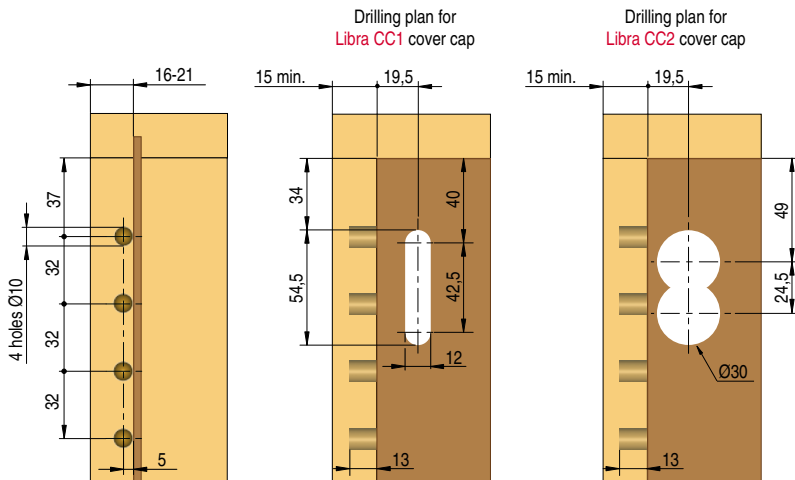
PATENTED



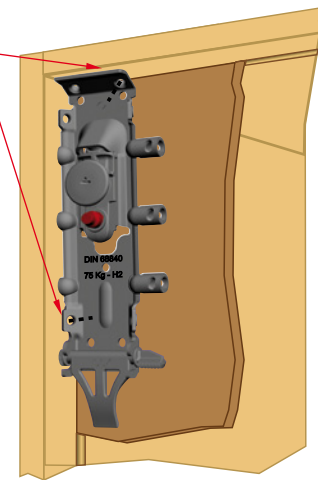
Part. no	Description	Finish
63420020ZN	Cabinet hanger Libra H2	Zinc-plated

For wall plates and cover caps see the related pages.

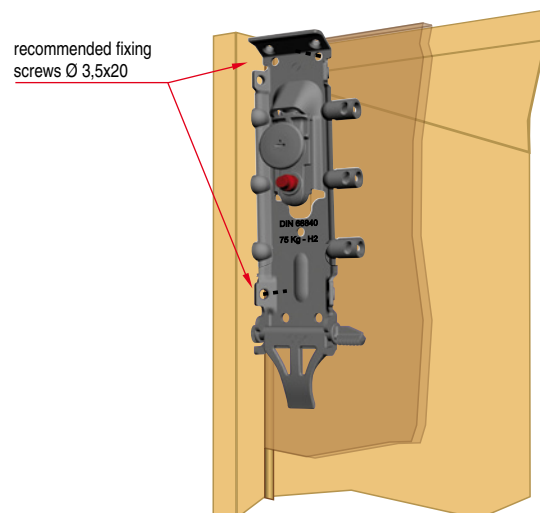
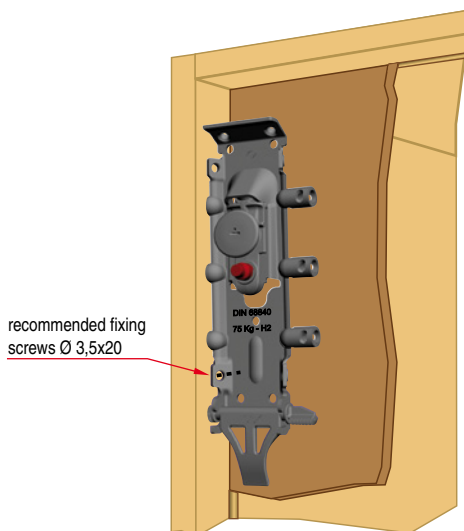
DRILLING PLAN FOR CABINET HANGER FIXED UNDER THE CABINET TOP

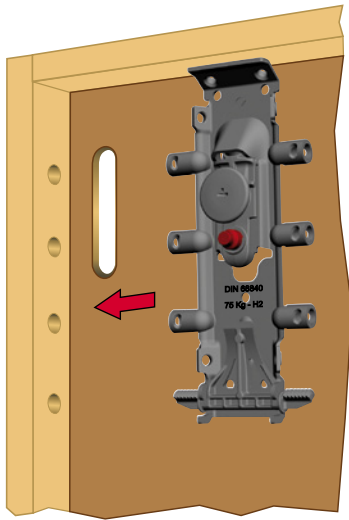


recommended fixing screws \varnothing 3,5x20

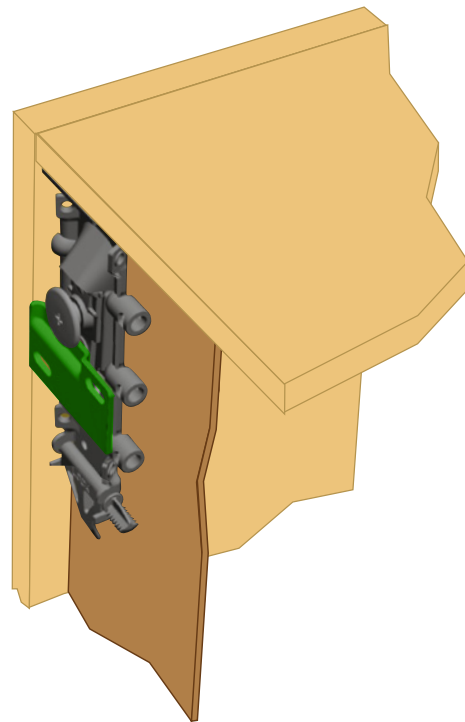
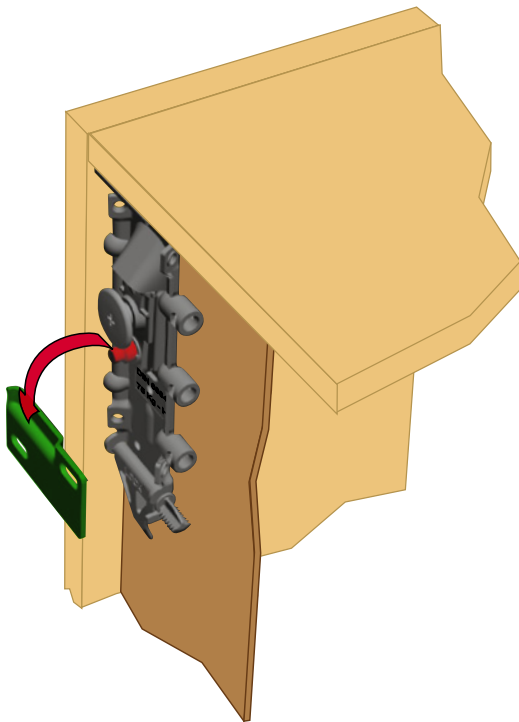
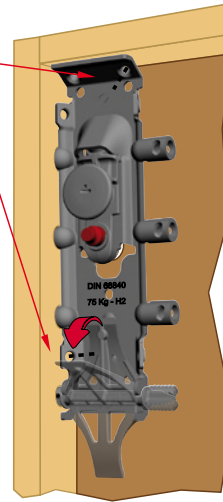


OTHER APPLICATIONS FOR CABINET HANGER NOT FIXED TO THE TOP





recommended fixing screws \varnothing 3,5x20



1

VERTICAL ADJUSTMENT

13 mm

2

IN-DEPTH ADJUSTMENT

12 mm

3

ANTI TURN-OVER LOCKING

