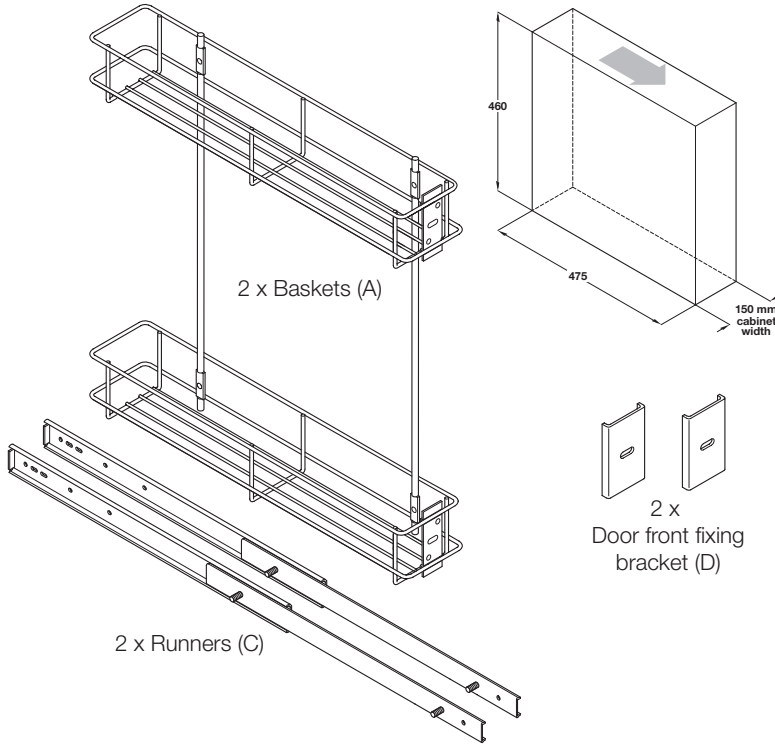
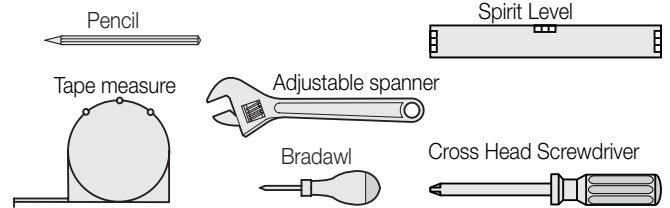


Assembly guide 150mm Pull-out: Soft close RH

Component parts

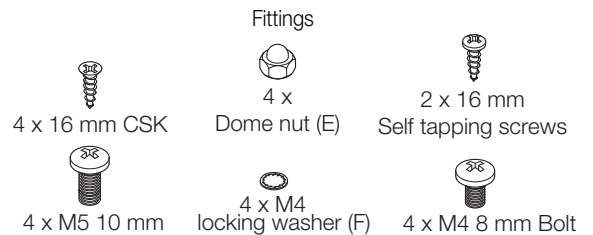


Tools required (Not Supplied)



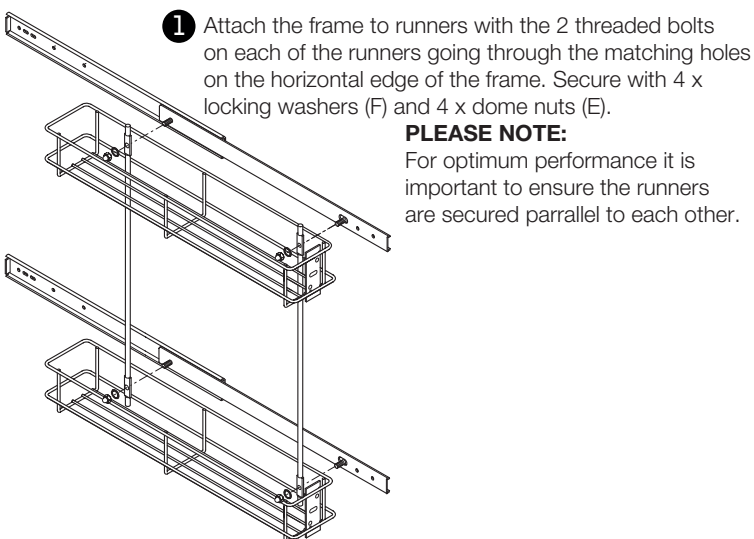
Did you know Häfele also supply tools to the trade and industry?
See www.hafele.co.uk for more information.

- Make sure all the components are included before you start.
- The number for technical support is at the bottom of the page.
- Don't rush!
- Read the instructions first.
- Assemble in the stages shown.
- Keep the fittings together to avoid loss.
- Have fun.

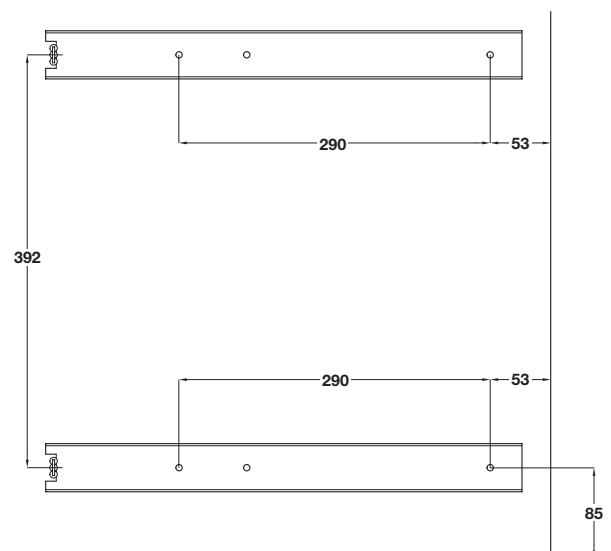


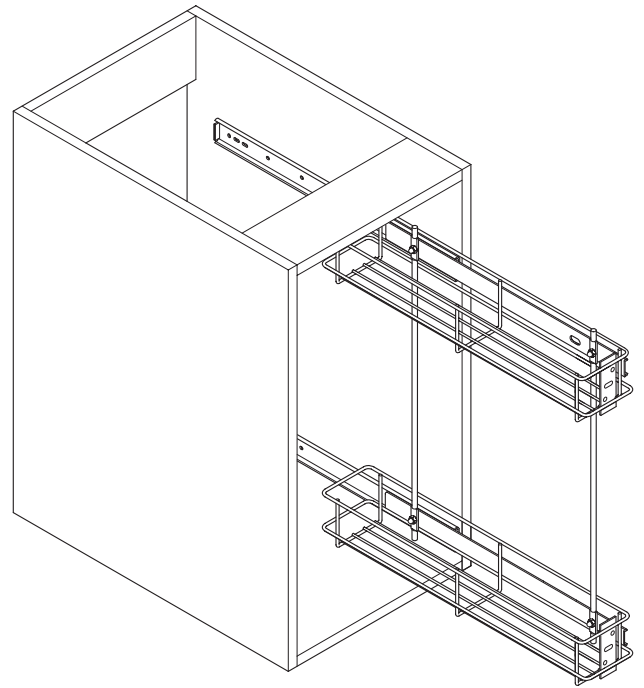
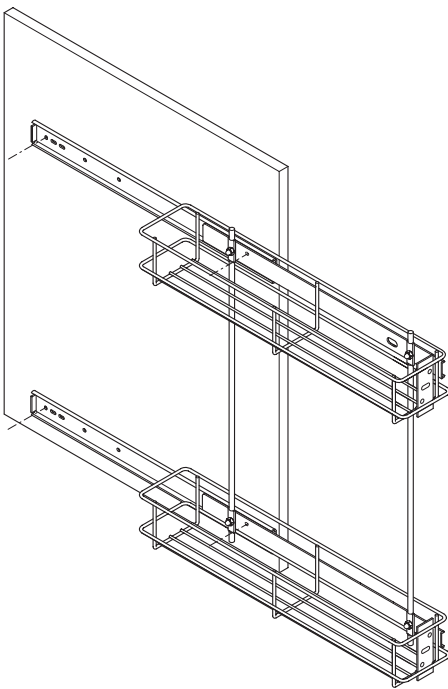
Before you start... Check the pack and make sure all the components are included – if not call the Helpline on 01788 548800 and our team will get things sorted. When you are ready to start make sure you have the right tools to hand, plenty of space and a clean dry area for building. Don't rush, read the instructions first and run through the sequence before you begin. Assembly should be done in the stages shown in the following diagrams, keeping fittings together to avoid loss. Do not over tighten screws.

Cleaning - Use mild soap and water only. Do not use abrasive cleaners.



PLEASE NOTE:
For optimum performance it is important to ensure the runners are secured parallel to each other.

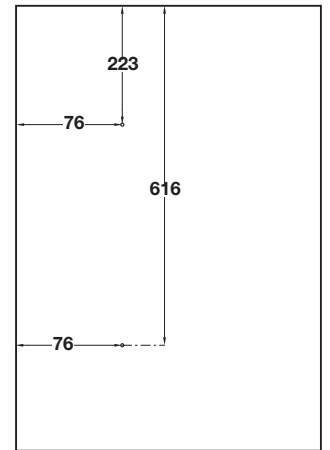




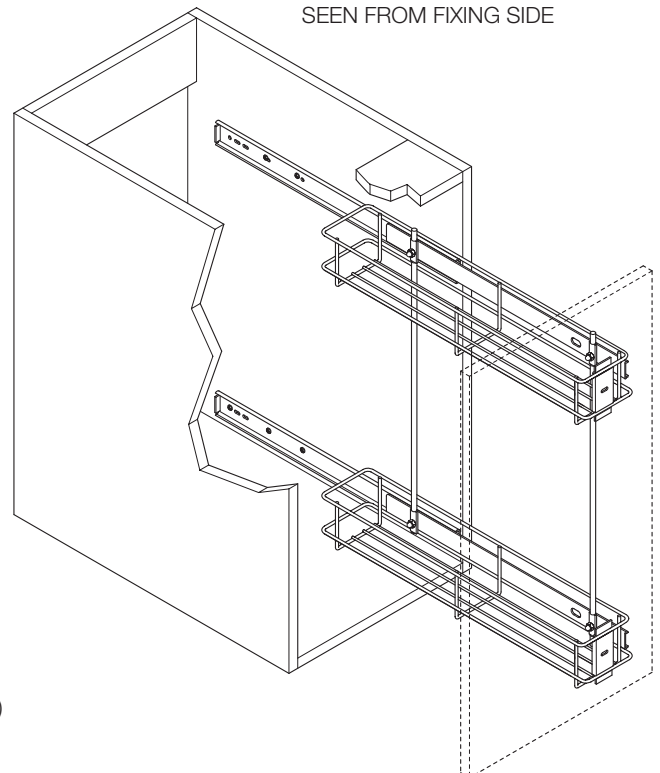
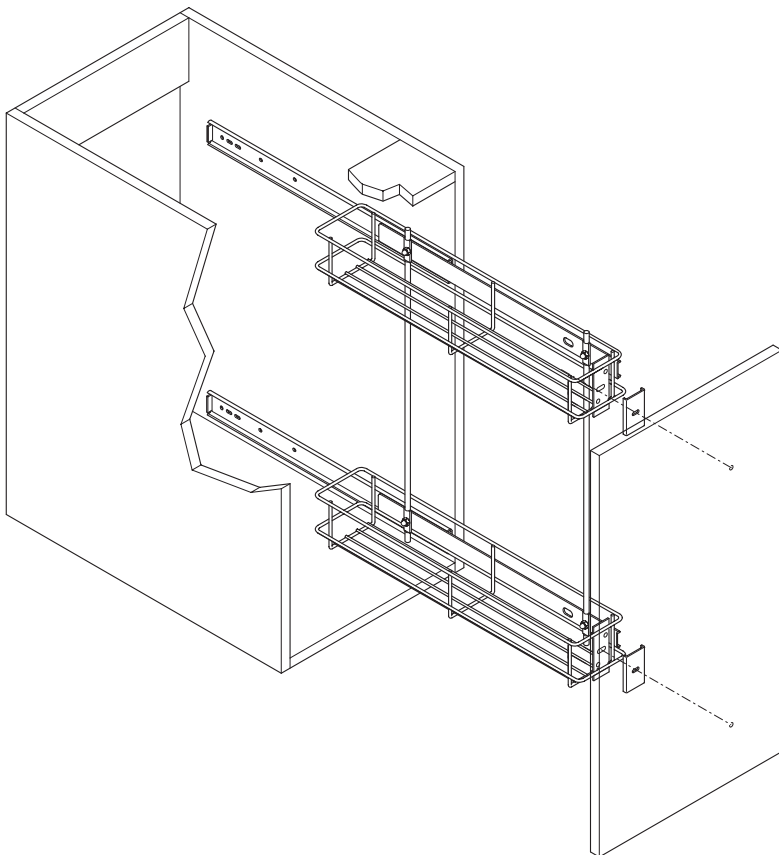
- 2** Using the drilling pattern shown on page 1
 Locate basket onto carcass side and mark fixing holes with bottom runner positioned 63 mm up from the base.
 Make sure that when the runners are in the closed position the door fixing bracket lies inline with the front of the carcass.
 Mark fixing holes (two for each runner) Then secure basket using 16 mm woodscrews provided.

- 3** Build the carcass having fixed the 150 mm pull-out

CARCASS DOOR DRILLING PATTERN



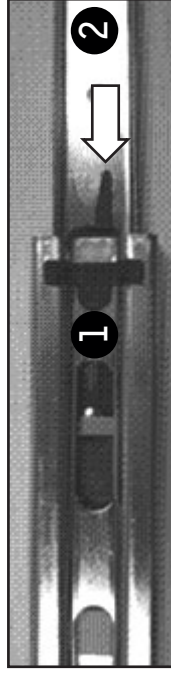
SEEN FROM FIXING SIDE



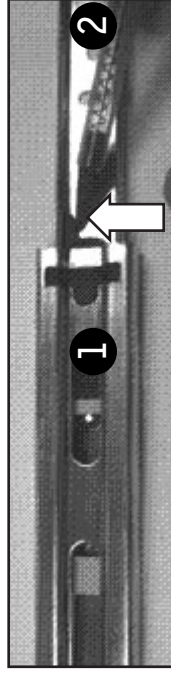
- 4** Finally fit the door, locate the fixing bracket between the top and bottom horizontal wires of both baskets and fix in place using 2 x 16 mm self tapping screws, (ENSURING THAT THE SCREWS DO NOT PENETRATE THROUGH THE DOOR FRONT) using the M5 jacking screws to adjust the tilt/alignment of the door when fixed.

In the event of needing to remove the baskets after assembly:

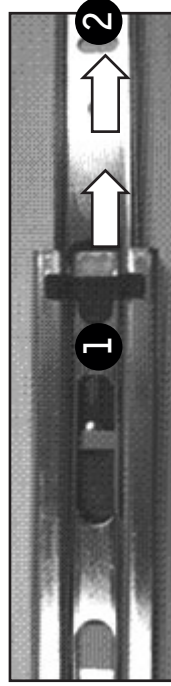
- Firstly remove any items from both baskets, then pull out the baskets so the runners are at there full extension length.



- Locate the black plastic release mechanism on both runners between extension lengths 1 and 2.



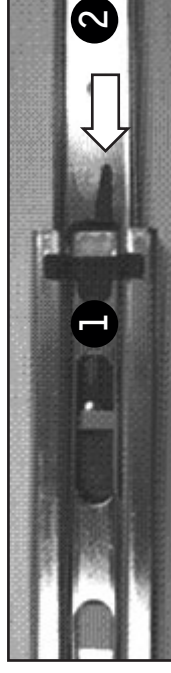
- Push upwards the black plastic tab on both runners at the same time while holding onto extension length 2 and slide forward to release.



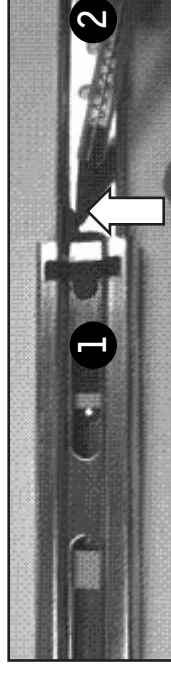
- This will allow the baskets and both runner extensions to be removed in one peice.

In the event of needing to remove the baskets after assembly:

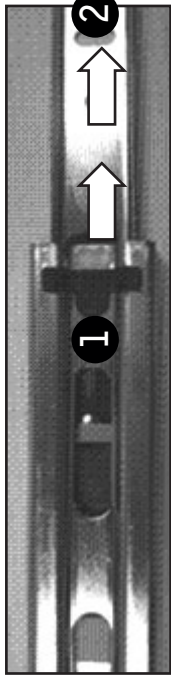
- Firstly remove any items from both baskets, then pull out the baskets so the runners are at there full extension length.



- Locate the black plastic release mechanism on both runners between extension lengths 1 and 2.



- Push upwards the black plastic tab on both runners at the same time while holding onto extension length 2 and slide forward to release.



- This will allow the baskets and both runner extensions to be removed in one peice.