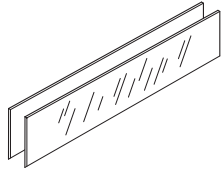


## Assembly guide Glass Upstands

### Component parts



2 x Glass upstands

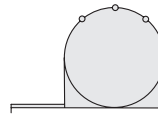
**Please note:** Glass upstands can be cut by a suitably experienced professional. Correct glass cutting tools should be used. The glass upstand must not be cut into pieces less than 30mm wide.



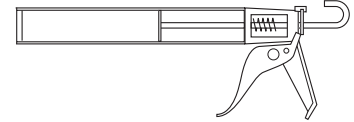
Spacers 2 mm thick  
**(Please order seperately)**

### Tools required (Not Supplied)

Tape measure



Sealant Gun



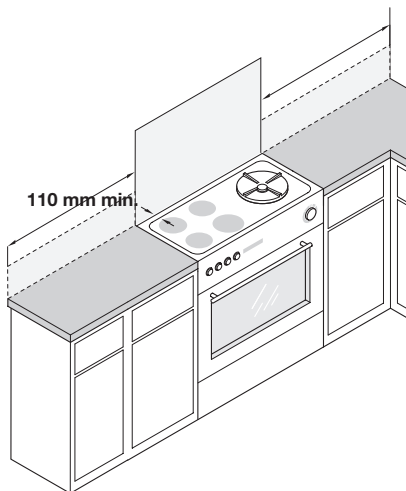
Sealant



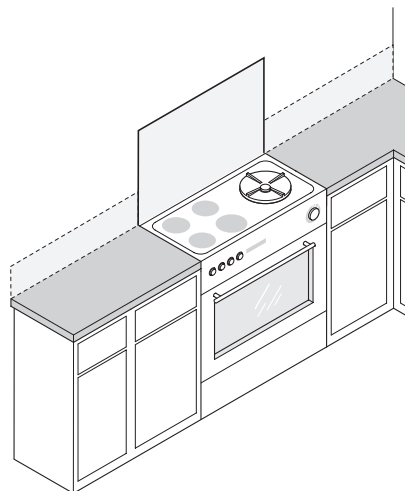
Only use low modular neutral cure silicone (BS 5889A)

Did you know Häfele also supply tools to the trade and industry?  
See [www.hafele.co.uk](http://www.hafele.co.uk) for more information.

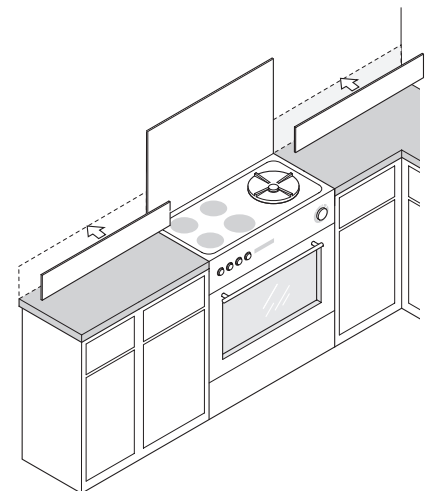
- Make sure all the components are included before you start.
- The number for technical support is at the bottom of the page.
- Don't rush!
- Read the instructions first.
- Assemble in the stages shown.
- Keep the fittings together to avoid loss.
- Wear appropriate safety clothing (gloves and goggles).



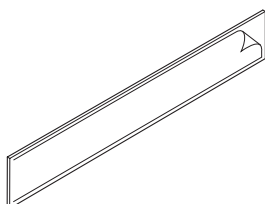
- 1** Firstly check the dimensions. If placing directly behind the hob, the minimum distance from back of the rear hobs to the wall should be no less than 110 mm.



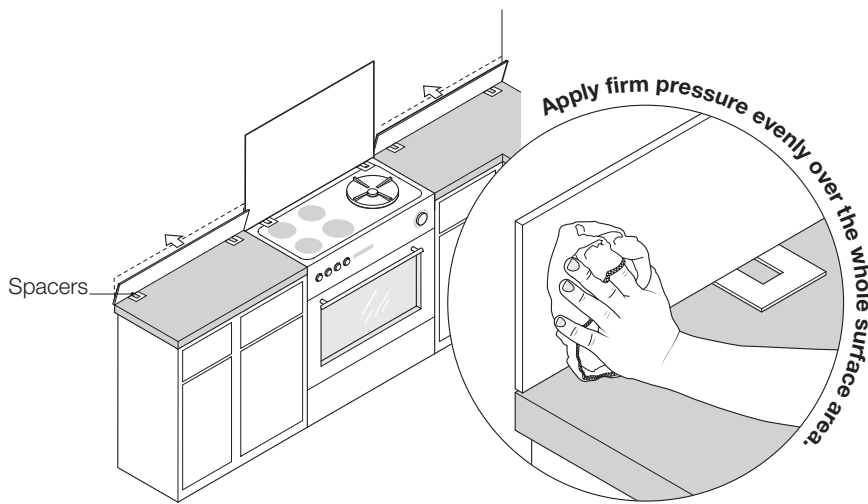
- 2** Ensure that the wall being fixed to is non porous, dry and dust free.  
**PLEASE NOTE:** This product should not be fitted over any existing tiling or splashbacks.



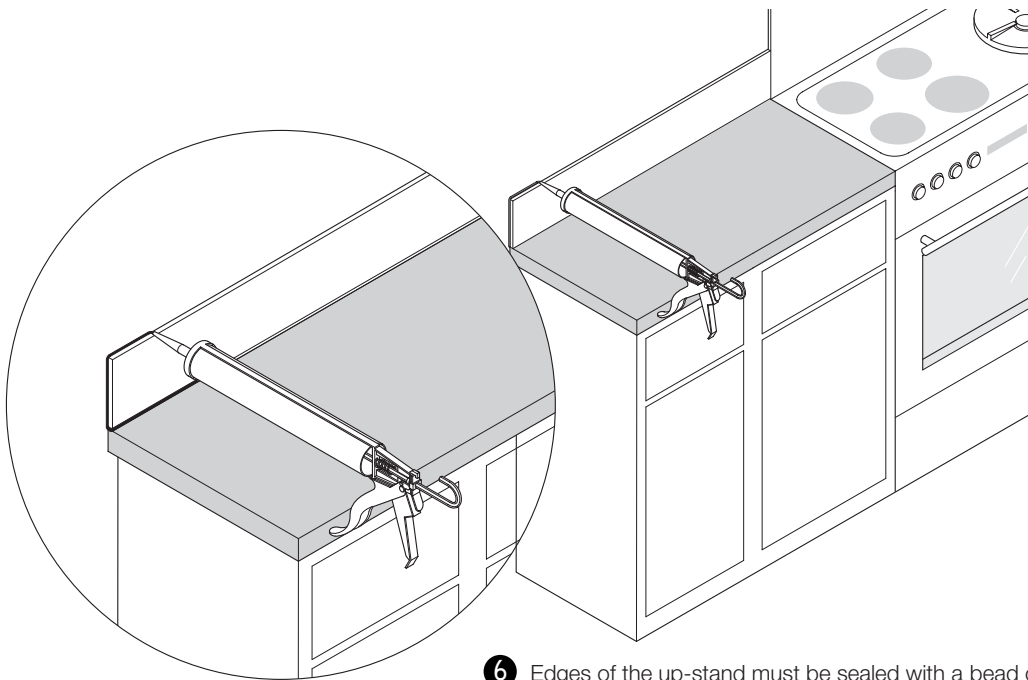
- 3** Firstly offer up the back of the Up-stand to the worktop/wall to check the fit. Use the spacers to achieve a good fit. There needs to be a gap of 2-3 mm around all edges.



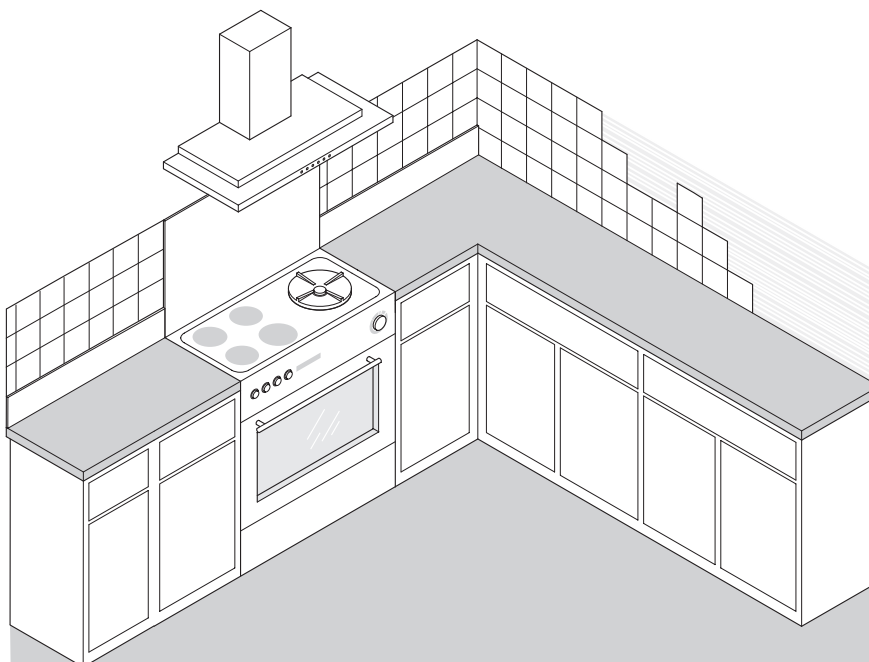
- 4** Take the up-stand away making sure to keep all corners safe from hard surfaces, remove the self adhesive backing.



- 5** Place the bottom edge of the upstand to the back lip of the worktop / wall on the spacers (ordered separately), then push the upstand to the wall and apply firm pressure evenly over the whole surface area. Ensure that the 2mm spacers are left while the silicone cures. Finally after 2-3 hours remove the spacers.



- 6** Edges of the up-stand must be sealed with a bead of silicone sealant no less than 2-3 mm in thickness.



- 7** Once dry and secure complete the surrounding wall covering